



BRAKE PAD PRIME CERAMIC P65009N

The P65009N NAO brake pad is synonymous with reliability

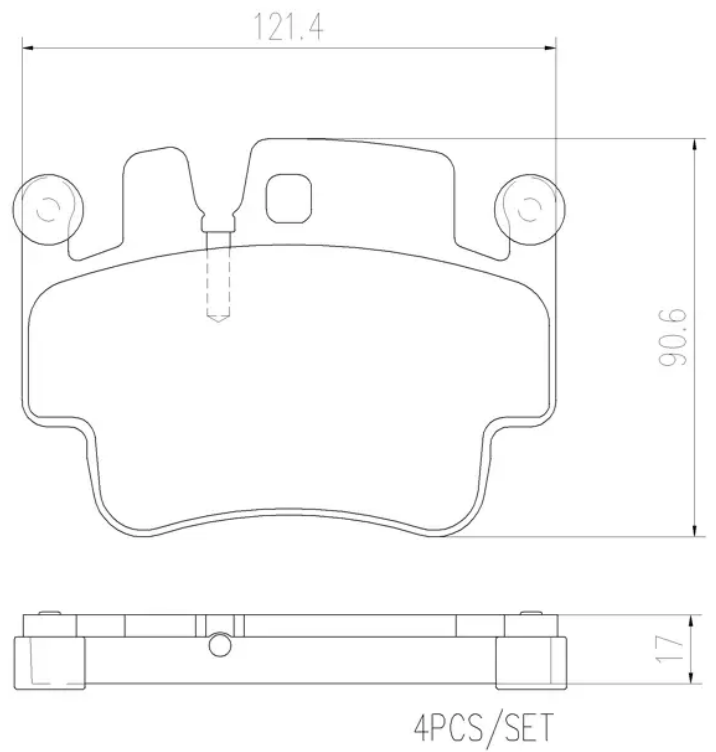
Brembo NAO brake pads stand out for their ultimate braking comfort, reduced friction wear and low dust mission, which makes for cleaner rims and reduced maintenance requirements. The advanced friction material in keeping with the strictest environmental standards is the main distinguishing feature of NAO compounds.

- ✓ OE-equivalent
- ✓ Brembo quality
- ✓ Safety
- ✓ Comfort
- ✓ Durability
- ✓ Dust reduction
- ✓ With accessories



Technical specifications

EAN code	Axle	Thickness
8020584112854	Front and rear	17 mm
Width	Height	Braking system
121 mm	91 mm	Brembo
Wear indicator	WVA number	Accessories
Prepared for wear indicator	23329	With anti-squeal shim



COMPATIBLE VEHICLES

COMPATIBLE OE PART NUMBERS

99635193014	PORSCHE
99635193015	PORSCHE
99635193914	PORSCHE
99635193915	PORSCHE
99635193916	PORSCHE
99635193930	PORSCHE
99635198000	PORSCHE
99635198001	PORSCHE
99635293091	PORSCHE
99635294890	PORSCHE
99635294902	PORSCHE
99635294903	PORSCHE
99635294904	PORSCHE
99635294930	PORSCHE