



# BRAKE PAD

## P 07 003

The P 07 003 brake pad is synonymous with reliability

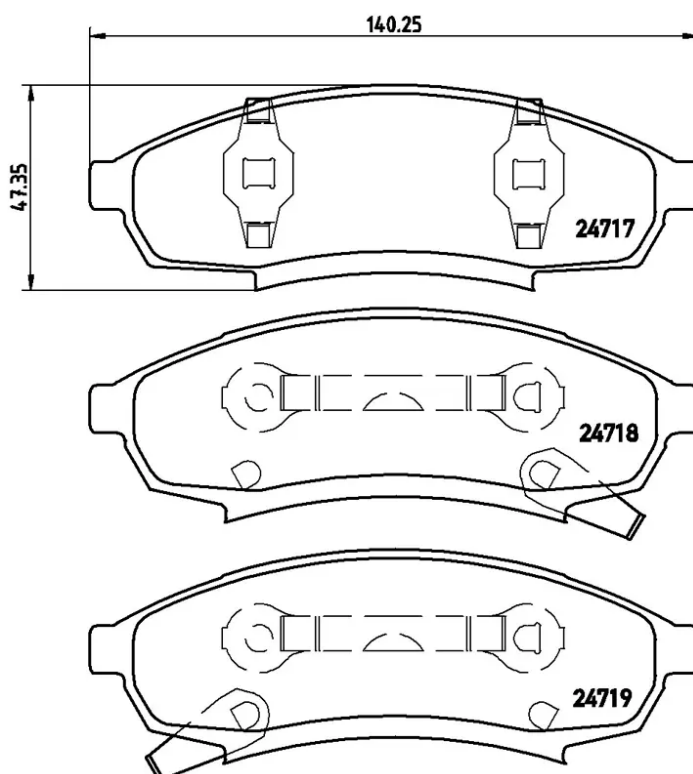
The Brembo brake pad guarantees ultimate safety when braking thanks to the use of more than 100 different compounds, designed according to the type of vehicle and use. Stopping distances reduced to a minimum, maximum driving comfort and silent operation are the most important features of Brembo materials. Brembo brake pads are supplied together with an extensive range of accessories and assembly kits for professional-standard installation.

- ✓ OE-equivalent
- ✓ Brembo quality
- ✓ ECE-R90 certificate
- ✓ Safety
- ✓ Performance
- ✓ Comfort



### Technical specifications

EAN code	Axle	Thickness
8020584090350	Front	17 mm
Width	Height	Braking system
140 mm	49 mm	Wagner
Wear indicator	WVA number	Accessories
Acoustic	24717,24718,24719	With anti-squeal shim



## COMPATIBLE OE PART NUMBERS

12370008	BUICK
19242605	BUICK
12321442	CHEVROLET
12510014	CHEVROLET
12510029	CHEVROLET
12510049	CHEVROLET
18022883	GENERAL MOTORS
18024931	GENERAL MOTORS
18024935	GENERAL MOTORS
18029883	GENERAL MOTORS
19167302	GENERAL MOTORS