



BRAKE PAD

P 30 038

The P 30 038 brake pad is synonymous with reliability

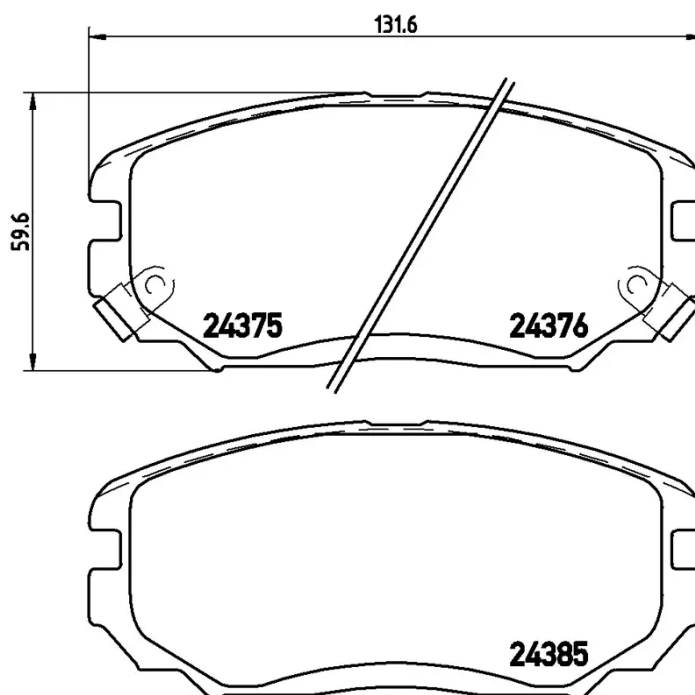
The Brembo brake pad guarantees ultimate safety when braking thanks to the use of more than 100 different compounds, designed according to the type of vehicle and use. Stopping distances reduced to a minimum, maximum driving comfort and silent operation are the most important features of Brembo materials. Brembo brake pads are supplied together with an extensive range of accessories and assembly kits for professional-standard installation.

- ✓ OE-equivalent
- ✓ Brembo quality
- ✓ ECE-R90 certificate
- ✓ Safety
- ✓ Performance
- ✓ Comfort



Technical specifications

EAN code	Axle	Thickness
8020584060766	Front	18 mm
Width	Height	Braking system
132 mm	60 mm	Mando
Wear indicator	WVA number	Accessories
Acoustic	24375,24376,24835	With anti-squeal shim



COMPATIBLE OE PART NUMBERS

581013FA01	HYUNDAI
------------	---------

581013KA20	HYUNDAI
------------	---------

581013KA30	HYUNDAI
------------	---------

581013KA32	HYUNDAI
------------	---------

581013LA10	HYUNDAI
------------	---------

581013LA11	HYUNDAI
------------	---------

581013FA11	KIA
------------	-----