



BRAKE PAD

P 59 045

The P 59 045 brake pad is synonymous with reliability

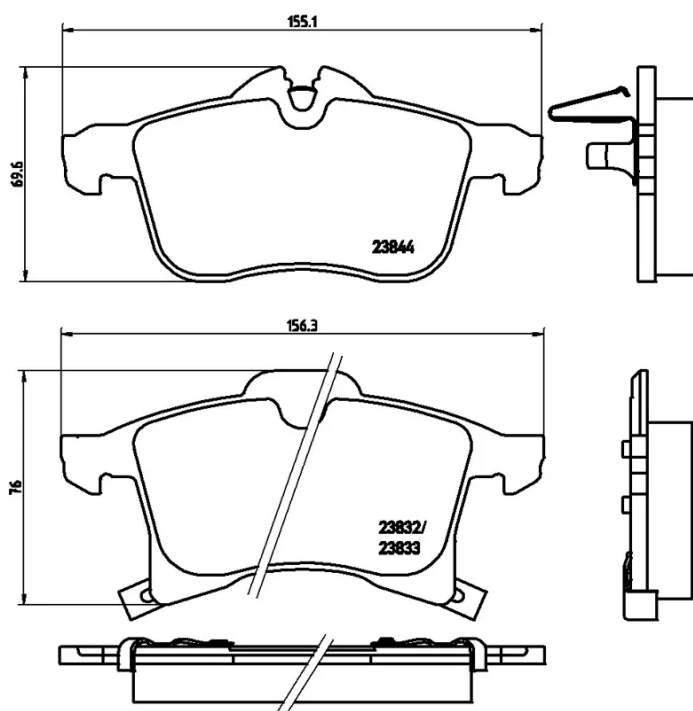
The Brembo brake pad guarantees ultimate safety when braking thanks to the use of more than 100 different compounds, designed according to the type of vehicle and use. Stopping distances reduced to a minimum, maximum driving comfort and silent operation are the most important features of Brembo materials. Brembo brake pads are supplied together with an extensive range of accessories and assembly kits for professional-standard installation.

- ✓ OE-equivalent
- ✓ Brembo quality
- ✓ ECE-R90 certificate
- ✓ Safety
- ✓ Performance
- ✓ Comfort
- ✓ With accessories



Technical specifications

EAN code 8020584055762	Axle Front	Thickness 20 mm
Width 155 mm	Height 70 mm	Braking system Teves
Wear indicator Acoustic	WVA number 23832,23833,23844	Accessories With accessories With anti-squeal shim With piston clip



COMPATIBLE OE PART NUMBERS

AC694281D	AC
93305892	CHEVROLET
9195157	GENERAL MOTORS
93176115	GENERAL MOTORS
93176429	GENERAL MOTORS
93179707	GENERAL MOTORS
93179708	GENERAL MOTORS
93181189	GENERAL MOTORS
93186713	GENERAL MOTORS
93189697	GENERAL MOTORS
1605009	OPEL
1605035	OPEL
1605080	OPEL
1605177	OPEL
1605252	OPEL
1605456	OPEL
1605957	OPEL
1605992	OPEL
1605996	OPEL
1605997	OPEL
1605998	OPEL
90544001	OPEL
9192157	OPEL
9195145	OPEL
93181189	OPEL
93192578	OPEL
95514416	OPEL
93191893	SATURN
1605456	VAUXHALL
193192578	VAUXHALL
9195145	VAUXHALL
93192578	VAUXHALL