



BRAKE PAD

P 61 109

The P 61 109 brake pad is synonymous with reliability

The Brembo brake pad guarantees ultimate safety when braking thanks to the use of more than 100 different compounds, designed according to the type of vehicle and use. Stopping distances reduced to a minimum, maximum driving comfort and silent operation are the most important features of Brembo materials. Brembo brake pads are supplied together with an extensive range of accessories and assembly kits for professional-standard installation.

- ✓ OE-equivalent
- ✓ Brembo quality
- ✓ ECE-R90 certificate
- ✓ Safety
- ✓ Performance
- ✓ Comfort
- ✓ With accessories



Technical specifications

EAN code
8020584103579

Axle
Front

Thickness
19 mm

Width
131 mm

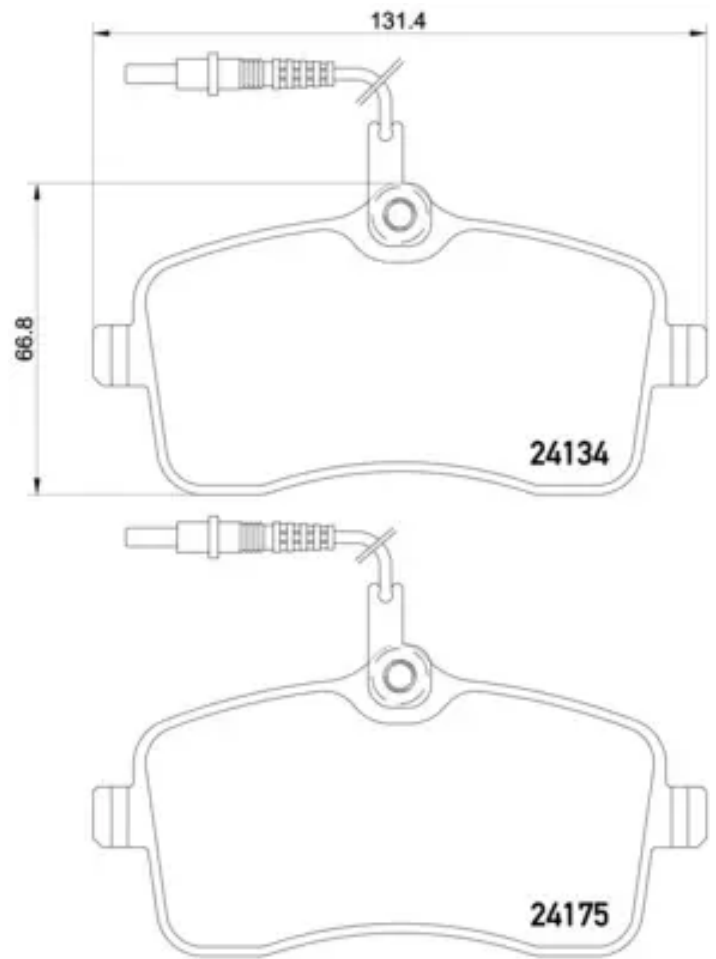
Height
67 mm

Braking system
Lucas

Wear indicator
Electric

WVA number
24134,24175

Accessories
**With accessories
With anti-squeal
shim
With brake caliper
bolts**



COMPATIBLE VEHICLES

COMPATIBLE OE PART NUMBERS

1611456580	CITROËN
425347	CITROËN
425422	CITROËN
425478	CITROËN
E172236	CITROËN
1611456580	PEUGEOT
1617259480	PEUGEOT
425277	PEUGEOT
425332	PEUGEOT
425335	PEUGEOT
425347	PEUGEOT
425422	PEUGEOT
425478	PEUGEOT
E172236	PEUGEOT