



BRAKE DISC

08.5808.10

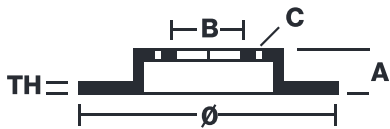
The 08.5808.10 brake disc is synonymous with reliability

The Brembo brake disc is fully interchangeable with an Original Equipment brake disc. The control of the entire production cycle allows Brembo to offer brake discs with outstanding performance levels, reliability, durability and comfort in all conditions of use. All Brembo brake discs are accompanied by the ECE-R90 homologation.

- ✓ OE-equivalent
- ✓ Brembo quality
- ✓ ECE-R90 certificate
- ✓ Safety



Technical specifications



EAN code
8020584580813

Axle
Rear

Diameter \varnothing
270 mm

Thickness (TH)
10 mm

Height (A)
63 mm

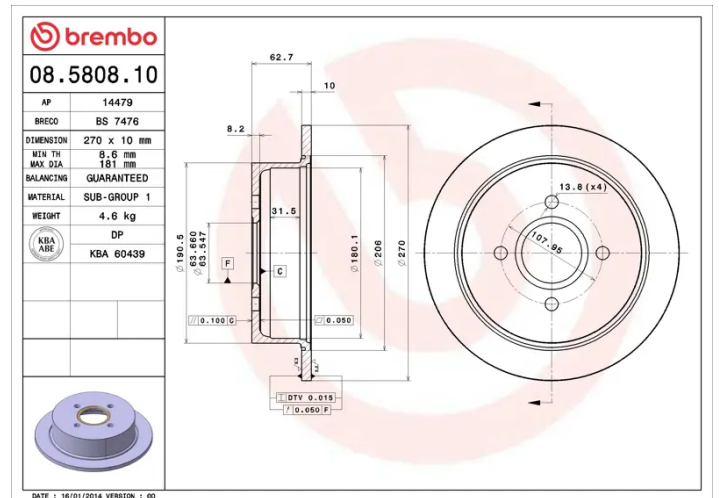
Number of holes (C)
4

Brake disc type
Solid

Centering (B)
64 mm

Min. thickness
8,6 mm

Tightening torque
100 Nm



COMPATIBLE VEHICLES

COMPATIBLE OE PART NUMBERS

1102564	FORD
---------	------

5025951	FORD
---------	------

6508247	FORD
---------	------

6691106	FORD
---------	------

91AX2A315A1C	FORD
--------------	------

91AX2A315AC	FORD
-------------	------
