
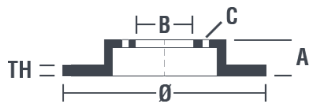


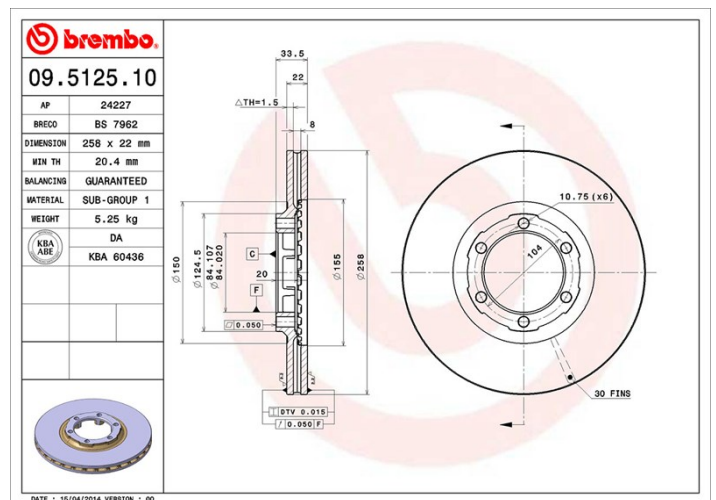
## Bremse­skive, tekniske data

|                                    |  |
|------------------------------------|--|
| <b>Aksel</b> Forreste              | <b>Diameter</b> (Diameter)<br>258,5 mm   |
| <b>Samlet vægt</b> (A)<br>33,5 mm  | <b>Centreringsdiameter</b> (B)<br>84 mm  |
| <b>Antal huller</b> (C)<br>6       | <b>Tykkelse</b> (TH)<br>22 mm  |
| <b>Minimumstykkelse</b><br>20,4 mm | <b>Tilspændingsmoment</b> <br>98 Nm |
| <b>Enhed pr. æske</b><br>2         | <b>EAN-kode</b><br>8020584512517   |



## Mærke, delnumre

|                             |                    |                         |
|-----------------------------|--------------------|-------------------------|
| <b>Brembo</b><br>09.5125.10 | <b>AP</b><br>24227 | <b>Breco</b><br>BS 7962 |
|-----------------------------|--------------------|-------------------------|



## Tekniske specifikationer

## Kompatible køretøjer

### MITSUBISHI

| Model                            | Type                     | Kw | År          |
|----------------------------------|--------------------------|----|-------------|
| L 200 (K3_T, K2_T, K1_T, K0_T)   | 2.5 D (K14T)             | 51 | 11/86 10/96 |
| L 200 (K3_T, K2_T, K1_T, K0_T)   | 2.6 4WD (K33T)           | 76 | 11/89 05/95 |
| L 300 III Box (P0_V, P1_V, P_2V) | 2.5 D (P05V, P05W, P15V) | 51 | 11/86 02/06 |
| L 300 III Bus (P0_W, P1_W, P2_W) | 2.5 D (P05W, P15W, P25W) | 51 | 11/86 05/04 |

## OE delnummer

### Kompatible OE koder

|            |          |
|------------|----------|
| MITSUBISHI | MB407031 |
|------------|----------|