



# BRAKE DISC

## 09.5708.10

The **09.5708.10** brake disc is synonymous with reliability

The Brembo brake disc is fully interchangeable with an Original Equipment brake disc. The control of the entire production cycle allows Brembo to offer brake discs with outstanding performance levels, reliability, durability and comfort in all conditions of use. All Brembo brake discs are accompanied by the ECE-R90 homologation.

- ✓ OE-equivalent
- ✓ Brembo quality
- ✓ ECE-R90 certificate
- ✓ Safety



### Technical specifications



EAN code  
**8020584570814**

Axle  
**Rear**

Diameter Ø  
**253** mm

Thickness (TH)  
**20** mm

Height (A)  
**44** mm

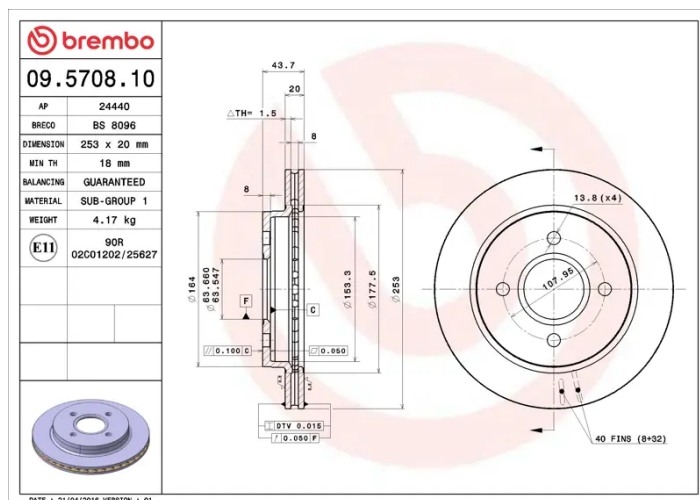
Number of holes (C)  
**4**

Brake disc type  
**Ventilated**

Centering (B)  
**64** mm

Min. thickness  
**18** mm

Tightening torque  
**100** Nm



**COMPATIBLE VEHICLES**

## COMPATIBLE OE PART NUMBERS

5026786	AC
1025911	FORD
1514236	FORD
1757850	FORD
4044280	FORD
4115996	FORD
5026786	FORD
93BB2A315C1B	FORD
93BX2A315AD	FORD
93BX2A315AF	FORD
F5RZ2C026A	FORD
F5RZ2C026A	MERCURY