

Bremsskive, tekniske data

Aksel Forreste	Diameter (Diameter) 277 mm
Samlet vægt (A) 45 mm	Centreringsdiameter (B) 87 mm
Antal huller (C) 6	Tykkelse (TH) 22 mm
Minimumstykkelse 20,4 mm	Tilspændingsmoment 100 Nm
Enhed pr. æske 2	EAN-kode 8020584681718

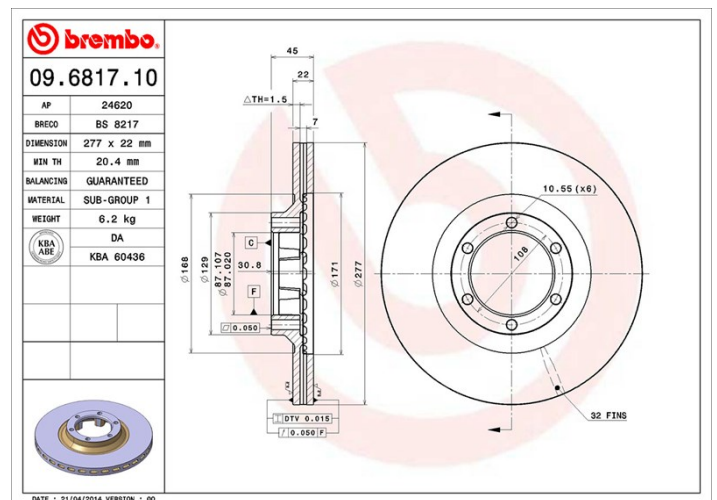
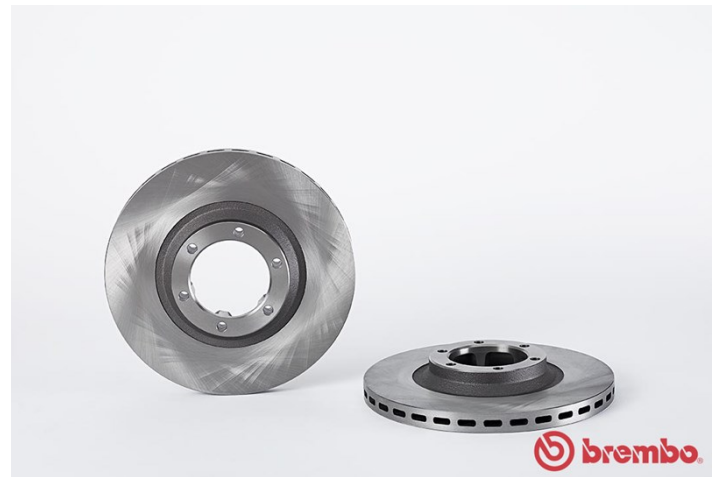


Mærke, delnumre

Brembo
09.6817.10

AP
24620

Breco
BS 8217



Tekniske specifikationer

Kompatible køretøjer

mitsubishi

Model	Type	Kw	År
GALLOPER (JK-01)	2.5 TD	65	09/98 12/03
GALLOPER (JK-01)	2.5 TD intercooler	73	09/98 12/03
GALLOPER (JK-01)	3.0 V6	104	09/98 12/03
L 200 (K3_T, K2_T, K1_T, K0_T)	2.5 D 4WD (K24T)	51	12/87 05/93
L 200 (K3_T, K2_T, K1_T, K0_T)	2.5 TD 4WD (K34T)	64	11/92 08/96
L 300 III Box (P0_V, P1_V, P_2V)	2.0 4WD (P23W, P23V)	63	08/88 05/94
L 300 III Box (P0_V, P1_V, P_2V)	2.4 4WD (P24V, P24W)	82	11/86 08/97
L 300 III Box (P0_V, P1_V, P_2V)	2.5 D (P05V, P05W, P15V)	51	11/86 02/06
L 300 III Box (P0_V, P1_V, P_2V)	2.5 TD 4WD	64	11/91 05/03
L 300 III Bus (P0_W, P1_W, P2_W)	2.0 4WD (P23W, P03W,	66	11/86 05/04

	P13W)		
L 300 III Bus (P0_W, P1_W, P2_W)	2.0 4WD (P23W, P03W, P13W)	65	12/86 05/04
L 300 III Bus (P0_W, P1_W, P2_W)	2.4 4WD (P24W)	82	08/86 05/04
L 300 III Bus (P0_W, P1_W, P2_W)	2.4 4WD (P24W)	80	11/86 12/90
L 300 III Bus (P0_W, P1_W, P2_W)	2.5 D (P05W, P15W, P25W)	51	11/86 05/04
L 300 III Bus (P0_W, P1_W, P2_W)	2.5 TD 4WD (P25W)	64	11/88 05/04
PAJERO I (L04_G, L14_G)	3.0 V6 (L141G, L146G)	104	11/88 11/90
PAJERO I Canvas Top (L04_G)	2.5 TD (L044G, L049G)	62	05/86 10/89
PAJERO I Canvas Top (L04_G)	2.5 TD (L044G, L049G)	70	11/89 11/90
PAJERO I Canvas Top (L04_G)	2.6 (L042G, L047G)	76	01/83 11/90
PAJERO II (V3_W, V2_W, V4_W)	2.6 4WD	76	03/91 10/97

OE delnummer

Kompatible OE koder

mitsubishi	HB403101
mitsubishi	MB407038
mitsubishi	MB407039