



BRAKE DISC MAX

09.6934.75

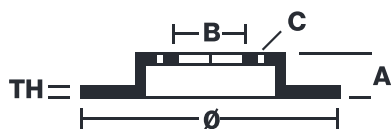
The 09.6934.75 Max brake disc is synonymous with reliability

The Brembo Max brake disc features grooves on the braking surface. The special shape of the grooves generates greater fading resistance and constant renewal of friction material, quickly restoring optimum braking conditions. The UV paint completes the sporty look.

- ✓ Brembo quality
- ✓ ECE-R90 certificate
- ✓ Performance
- ✓ Sports driving
- ✓ Sporty look
- ✓ Anti-corrosion



Technical specifications



EAN code
8020584013571

Axle
Front

Diameter Ø
288 mm

Thickness (TH)
25 mm

Height (A)
55 mm

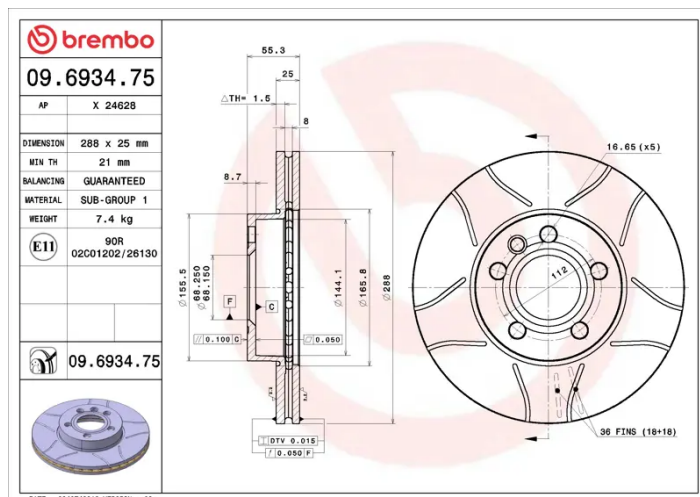
Number of holes (C)
5

Brake disc type
Ventilated

Centering (B)
68 mm

Min. thickness
21 mm

Tightening torque
170 Nm



COMPATIBLE VEHICLES

COMPATIBLE OE PART NUMBERS

1001093 FORD

1044569 FORD

1045994 FORD

1143640 FORD

1143641 FORD

1526686 FORD

95VWX1125B1D FORD

95VWX1125BD FORD

95VWX1125BE FORD

7M0615301E SEAT

7M0615301G SEAT

7M0615301E VW

7M0615301G VW
