



BRAKE DISC

09.7652.10

The **09.7652.10** brake disc is synonymous with reliability

The Brembo brake disc is fully interchangeable with an Original Equipment brake disc. The control of the entire production cycle allows Brembo to offer brake discs with outstanding performance levels, reliability, durability and comfort in all conditions of use. All Brembo brake discs are accompanied by the ECE-R90 homologation.

- ✓ OE-equivalent
- ✓ Brembo quality
- ✓ ECE-R90 certificate
- ✓ Safety



Technical specifications



EAN code
8020584765210

Axle
Front

Diameter Ø
286 mm

Thickness (TH)
26 mm

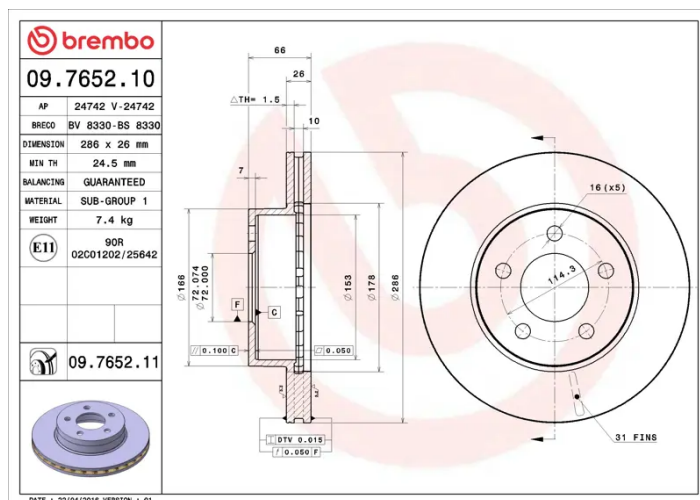
Height (A)
66 mm

Number of holes (C)
5

Brake disc type
Ventilated

Centering (B)
72 mm

Min. thickness
24,5 mm



COMPATIBLE VEHICLES

COMPATIBLE OE PART NUMBERS

XL5Z1125CA	FORD
F57A1125CA	FORD USA
F5TZ1104A	FORD USA
F5TZ1125A	FORD USA
F67A1125BA	FORD USA
F67Z1102HA	FORD USA
F67Z1125BA	FORD USA
F6TZ1125BA	FORD USA
F87Z1104CA	FORD USA
ZZP233251	MAZDA
F67Z1125BA	MERCURY