



# BRAKE DISC PAINTED

## 09.9369.11

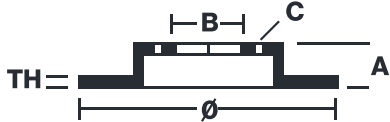
The 09.9369.11 painted brake disc is synonymous with reliability

The Brembo brake disc with special UV paint treatment guarantees superior corrosion resistance for the product, thanks to the protective coating on the outer edges and on the disc hub. The UV paint not only gives the disc a clean, shiny appearance but is also beneficial for the environment as the water-based UV paint treatment does not require the use of chemical solvents and is a low energy consumption process.

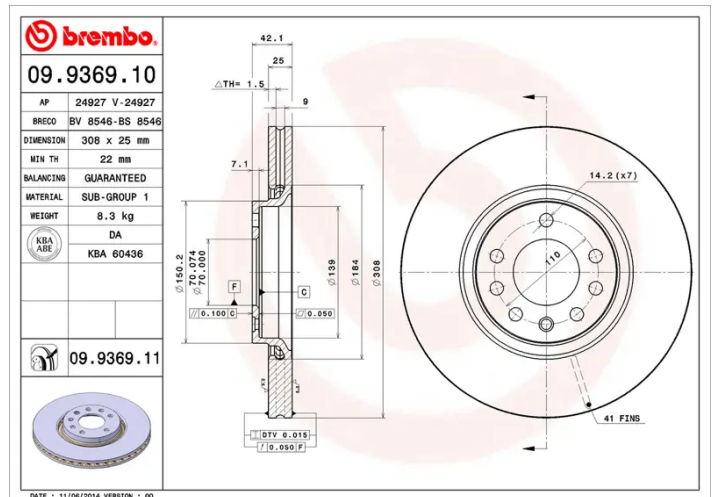
- ✓ OE-equivalent
- ✓ Brembo quality
- ✓ ECE-R90 certificate
- ✓ Safety
- ✓ Anti-corrosion



### Technical specifications



EAN code <b>8020584015766</b>	Axle <b>Front</b>	Diameter Ø <b>308 mm</b>
Thickness (TH) <b>25 mm</b>	Height (A) <b>42 mm</b>	Number of holes (C) <b>5</b>
Brake disc type <b>Ventilated</b>	Centering (B) <b>70 mm</b>	Min. thickness <b>22 mm</b>
Tightening torque <b>110 Nm</b>		



**COMPATIBLE VEHICLES**

## COMPATIBLE OE PART NUMBERS

5391560	BAIC
5391560	BAIC BJEV
9194477	CHEVROLET
95526651	CHEVROLET
569061	OPEL
9194477	OPEL
95526651	OPEL
4567798	SAAB
5055389	SAAB
5084769	SAAB
5122833	SAAB
5391560	SAAB
9184405	SAAB
9194477	SAAB
9184405	VAUXHALL
9194477	VAUXHALL
95526651	VAUXHALL