



# BRAKE DISC XTRA

## 09.9468.2X

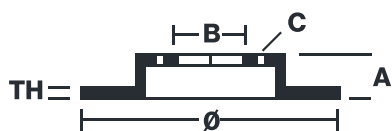
The 09.9468.2X Xtra brake disc is synonymous with reliability

The Brembo Xtra brake disc features holes on the braking surface. The holes are designed to improve the cooling of the braking system, to generate greater fading resistance and grip in the initial stages of braking. The sports look is also enhanced by the presence of the UV paint.

- ✓ Brembo quality
- ✓ ECE-R90 certificate
- ✓ Performance
- ✓ Sports driving
- ✓ Sporty look
- ✓ High carbon
- ✓ Anti-corrosion



### Technical specifications



EAN code  
**8020584217450**

Axle  
**Front**

Diameter Ø  
**300 mm**

Thickness (TH)  
**25 mm**

Height (A)  
**49 mm**

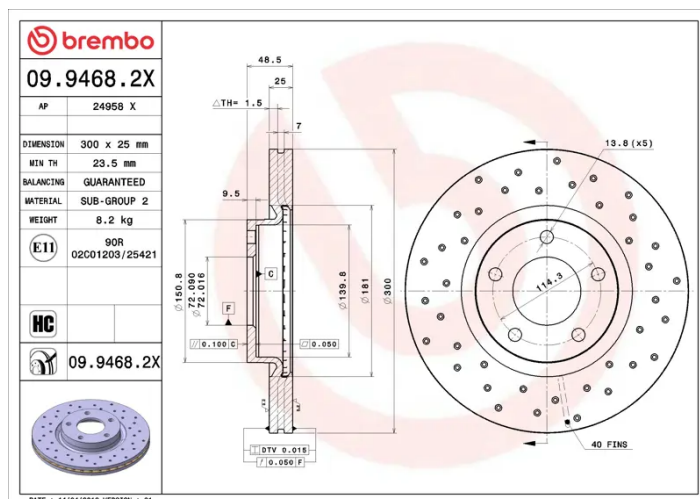
Number of holes (C)  
**5**

Brake disc type  
**Ventilated**

Centering (B)  
**72 mm**

Min. thickness  
**23,5 mm**

Tightening torque  
**103 Nm**



COMPATIBLE VEHICLES

## COMPATIBLE OE PART NUMBERS

BP6Y3325XD	MAZDA
------------	-------

BP6Y3325XE	MAZDA
------------	-------

BP6Y3325XF	MAZDA
------------	-------

C26Y3325X	MAZDA
-----------	-------

C26Y3325XA	MAZDA
------------	-------

C26Y3325XB	MAZDA
------------	-------

C26Y3325XC	MAZDA
------------	-------

C26Y3325XD	MAZDA
------------	-------