

Bremse­skive, tekniske data

Aksel Bageste

Diameter (Diameter)
312 mm

Samlet vægt (A)
67,9 mm

Centreringsdiameter (B)
108 mm

Antal huller (C)
6

Tykkelse (TH)
18 mm

Minimumstykkelse
16 mm

Tilspændingsmoment 
Nm

Enhed pr. æske
2

EAN-kode
8020584213605

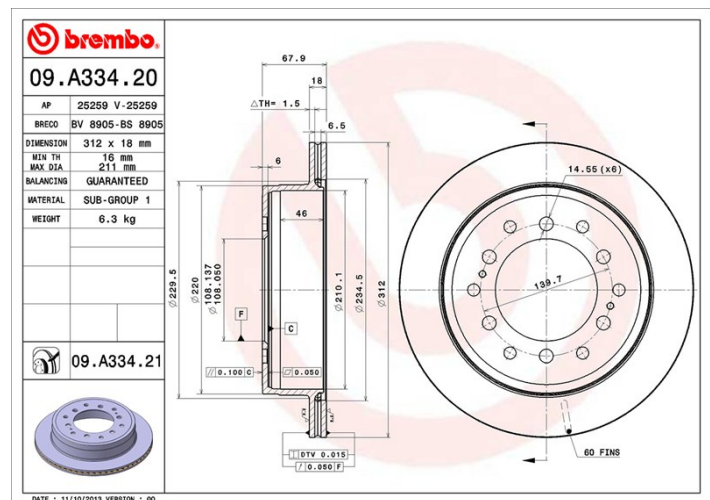


Mærke, delnumre

Brembo
09.A334.20

AP
25295

Breco
BS 8905



Tekniske specifikationer

Kompatible køretøjer

LEXUS

Model	Type	Kw	År
GX (URJ15_)	400 4WD	202	05/12 -
GX (URJ15_)	460 4WD	225	01/10 -
GX (URJ15_)	460 4WD	218	11/09 -

TOYOTA

Model	Type	Kw	År
FJ CRUISER (GSJ1_)	4.0 (GSJ15)	178	01/06 12/11
FJ CRUISER (GSJ1_)	4.0 4WD (GSJ15_)	203	06/05 -
FJ CRUISER (GSJ1_)	4.0 4WD (GSJ15_)	191	11/10 -
FJ CRUISER (GSJ1_)	4.0 4WD (GSJ15_)	200	12/10 -
FJ CRUISER (GSJ1_)	4.0 4WD (GSJ15_)	178	01/06 -

LAND CRUISER PRADO (_J15_)	2.7 (TRJ150_, TRJ155_)	120	08/09 -
LAND CRUISER PRADO (_J15_)	2.8 D-4D (GDJ150_, GDJ155_)	130	06/15 -
LAND CRUISER PRADO (_J15_)	3.0 D-4D (KDJ150_)	127	08/09 -
LAND CRUISER PRADO (_J15_)	3.0 D-4D (KDJ155_, KDJ150_)	140	10/10 -
LAND CRUISER PRADO (_J15_)	3.5 (GRJ152_)	206	09/15 -
LAND CRUISER PRADO (_J15_)	4.0 V6 Dual VVTi (GRJ150_)	205	08/09 -
LAND CRUISER PRADO (_J15_)	4.0 V6 VVTi (GRJ150_)	183	01/10 -
LAND CRUISER PRADO (_J15_)	4.0 V6 VVT-i (GRJ150_, GRJ125_)	207	08/09 -

TOYOTA (FAW)

Model	Type	Kw	År
LAND CRUISER PRADO (J15)	2.7 All-wheel Drive (TRJ150, TRJ152)	120	09/15 -
LAND CRUISER PRADO (J15)	3.5 All-wheel Drive (GRJ152)	206	09/15 -
LAND CRUISER PRADO (J15)	4.0 (GRJ150)	202	06/10 12/15

OE delnummer

Kompatible OE koder

TOYOTA	4243160311
--------	------------