



BRAKE DISC MAX

09.B356.75

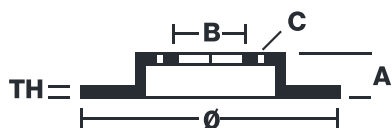
The 09.B356.75 Max brake disc is synonymous with reliability

The Brembo Max brake disc features grooves on the braking surface. The special shape of the grooves generates greater fading resistance and constant renewal of friction material, quickly restoring optimum braking conditions. The UV paint completes the sporty look.

- ✓ Brembo quality
- ✓ ECE-R90 certificate
- ✓ Performance
- ✓ Sports driving
- ✓ Sporty look
- ✓ High carbon
- ✓ Anti-corrosion



Technical specifications



EAN code
8020584326114

Axle
Front

Diameter Ø
300 mm

Thickness (TH)
26 mm

Height (A)
46 mm

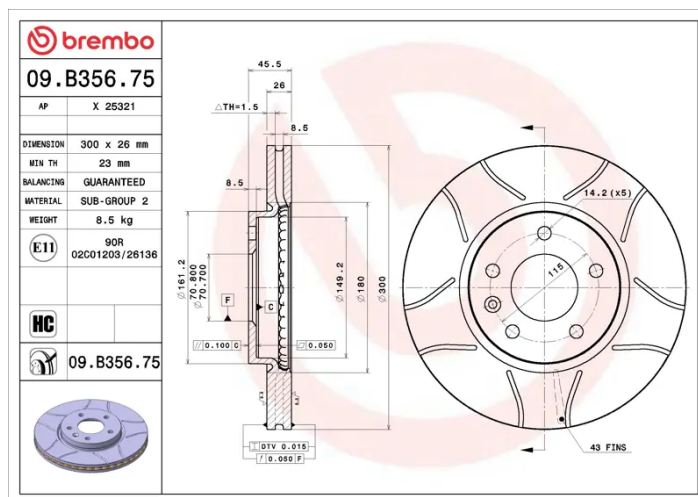
Number of holes (C)
5

Brake disc type
Ventilated

Centering (B)
71 mm

Min. thickness
23 mm

Tightening torque
110 Nm



COMPATIBLE VEHICLES

COMPATIBLE OE PART NUMBERS

13502052	BUICK (SGM)
13502051	CHEVROLET
13502052	CHEVROLET
13503988	CHEVROLET
23118275	CHEVROLET
13502052	CHEVROLET (SGM)
13502051	OPEL
13502052	OPEL
13503988	OPEL
23118060	OPEL
569070	OPEL
569076	OPEL
569082	OPEL
569098	OPEL
95527031	OPEL
13502051	VAUXHALL
13502052	VAUXHALL
13503988	VAUXHALL
23118060	VAUXHALL
95527031	VAUXHALL