

Bremse­skive 09.B461.10



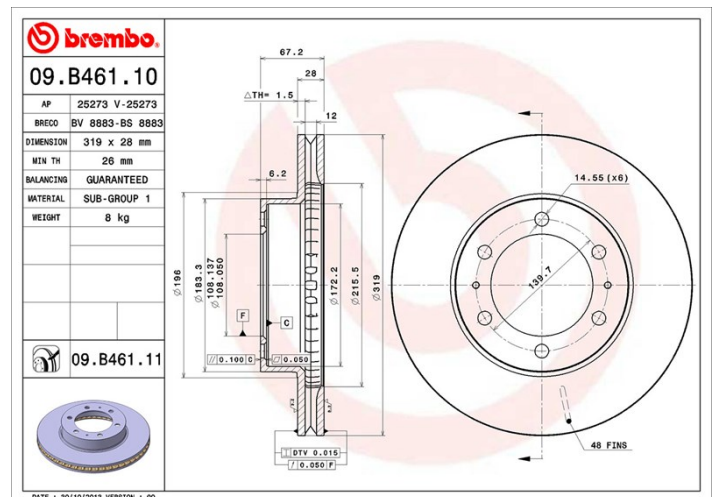
Bremse­skive, tekni­ske data

Aksel Forreste	Diameter (Diameter) 319 mm
Samlet vægt (A) 67,2 mm	Centreringsdiameter (B) 108 mm
Antal huller (C) 6	Tykkelse (TH) 28 mm
Minimumstykkelse 26 mm	Tilspændingsmoment 112 Nm
Enhed pr. æske 2	EAN-kode 8020584021811



Mærke, delnumre

Brembo 09.B461.10	AP 25273	Breco BS 8883
-----------------------------	--------------------	-------------------------



Tekni­ske speci­fikationer

Kompatible køretøjer

TOYOTA

Model	Type	Kw	År
4 RUNNER (_N21_)	4.0 (GRN210)	183	08/02 12/09
4 RUNNER (_N21_)	4.0 4WD (GRN210)	183	01/03 12/09
4 RUNNER (_N21_)	4.7 (UZN210)	194	01/05 12/09
4 RUNNER (_N21_)	4.7 (UZN210_)	175	08/02 09/06
4 RUNNER (_N21_)	4.7 4WD (UZN215)	194	01/05 12/09
4 RUNNER (_N21_)	4.7 4WD (UZN215_)	175	08/02 09/06
LAND CRUISER PRADO (_J12_)	3.0 D-4D (KDJ120, KDJ125)	122	07/04 08/09
LAND CRUISER PRADO (_J12_)	3.0 D-4D (KDJ120, KDJ125)	127	09/02 12/10
LAND CRUISER PRADO (_J12_)	3.0 D-4D (KDJ120, KDJ125)	120	09/02 08/09

OE delnummer**Kompatible OE koder**

TOYOTA	4351204050
TOYOTA	4351204051
TOYOTA	4351204052
TOYOTA	4351235320
TOYOTA	4351235321
TOYOTA	4351235322