

Bremse­skive, tekniske data

Aksel Forreste

Diameter (Diameter)
338 mm

Samlet vægt (A)
68,3 mm

Centreringsdiameter (B)
108 mm

Antal huller (C)
6

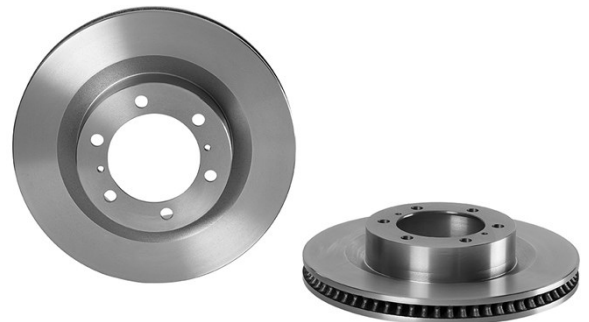
Tykkelse (TH)
32 mm

Minimumstykkelse
29 mm

Tilspændingsmoment 
Nm

Enhed pr. æske
1

EAN-kode
8020584219010

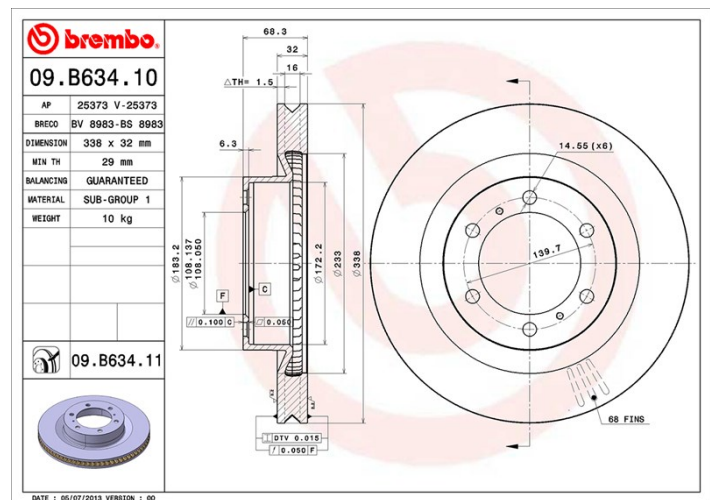


Mærke, delnumre

Brembo
09.B634.10

AP
25373

Breco
BS 8983



Tekniske specifikationer

Kompatible køretøjer

LEXUS

Model	Type	Kw	År
GX (URJ15_)	400 4WD	202	05/12 -
GX (URJ15_)	460 4WD	225	01/10 -
GX (URJ15_)	460 4WD	218	11/09 -

TOYOTA

Model	Type	Kw	År
LAND CRUISER PRADO (_J15_)	2.7 (TRJ150_, TRJ155_)	120	08/09 -
LAND CRUISER PRADO (_J15_)	2.8 D-4D (GDJ150_, GDJ155_)	130	06/15 -
LAND CRUISER PRADO (_J15_)	3.0 D-4D (KDJ150_)	127	08/09 -
LAND CRUISER PRADO (_J15_)	3.0 D-4D (KDJ155_, KDJ150_)	140	10/10 -
LAND CRUISER PRADO (_J15_)	3.5 (GRJ152_)	206	09/15 -

LAND CRUISER PRADO (_J15_)	4.0 V6 Dual VVTi (GRJ150_)	205	08/09 -
LAND CRUISER PRADO (_J15_)	4.0 V6 VVTi (GRJ150_)	183	01/10 -
LAND CRUISER PRADO (_J15_)	4.0 V6 VVT-i (GRJ150_, GRJ125_)	207	08/09 -

TOYOTA (FAW)

Model	Type	Kw	År
LAND CRUISER PRADO (J15)	2.7 All-wheel Drive (TRJ150, TRJ152)	120	09/15 -
LAND CRUISER PRADO (J15)	3.5 All-wheel Drive (GRJ152)	206	09/15 -
LAND CRUISER PRADO (J15)	4.0 (GRJ150)	202	06/10 12/15

OE delnummer

Kompatible OE koder

LEXUS	4351260190
LEXUS	4351260191
TOYOTA	4351260190
TOYOTA	4351260191