



BRAKE DISC PAINTED

09.B970.11

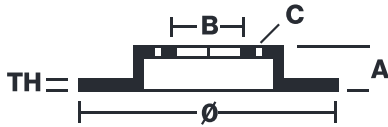
The 09.B970.11 painted brake disc is synonymous with reliability

The Brembo brake disc with special UV paint treatment guarantees superior corrosion resistance for the product, thanks to the protective coating on the outer edges and on the disc hub. The UV paint not only gives the disc a clean, shiny appearance but is also beneficial for the environment as the water-based UV paint treatment does not require the use of chemical solvents and is a low energy consumption process.

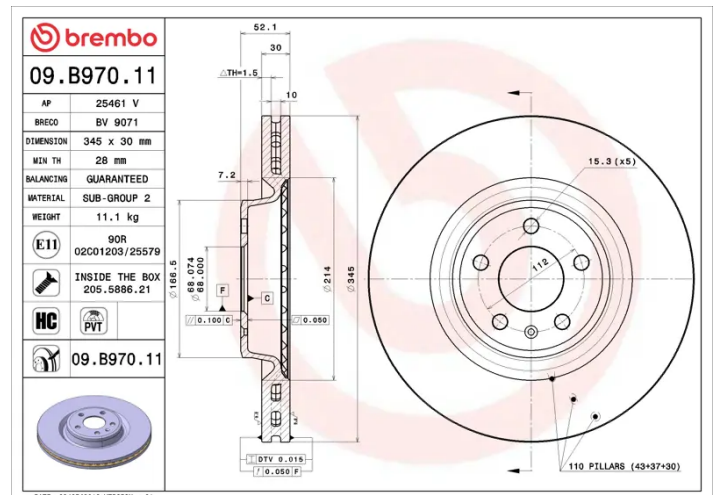
- ✓ OE-equivalent
- ✓ Brembo quality
- ✓ ECE-R90 certificate
- ✓ Safety
- ✓ High carbon
- ✓ Anti-corrosion
- ✓ PVT ventilation
- ✓ Fastening screws



Technical specifications



EAN code 8020584218389	Axle Front	Diameter Ø 345 mm
Thickness (TH) 30 mm	Height (A) 52 mm	Number of holes (C) 5
Brake disc type Ventilated	Centering (B) 68 mm	Min. thickness 28 mm



COMPATIBLE VEHICLES

COMPATIBLE OE PART NUMBERS

4G0615301 AUDI

4G0615301AE AUDI

4G0615301AF AUDI

4G0615301G AUDI

4G0615301M AUDI

4G0615301Q AUDI

4G0698996 AUDI

4G0615301 AUDI (FAW)

4G0615301AE AUDI (FAW)

4G0615301AF AUDI (FAW)

4G0615301G AUDI (FAW)

4G0615301M AUDI (FAW)

4G0615301Q AUDI (FAW)

95B615301B PORSCHE

95B615301M PORSCHE

4G0615301AF VW (SVW)
