



# DRUM

## 14.5604.10

**The 14.5604.10 drum is synonymous with reliability**

Brembo has developed several design solutions for drum brakes which combine multiple materials to reduce the overall weight. The most popular range of lamellar graphite cast iron drums is supplemented by cast iron drums with a steel sprocket flange and aluminium drums, whereby only the inner part of the drum on which the shoes operate are made of lamellar cast iron, namely the brake band. Additionally drums with built-in bearing kit and hub are added to this range.



- ✓ OE-equivalent
- ✓ Brembo quality
- ✓ Safety
- ✓ Durability

## Technical specifications

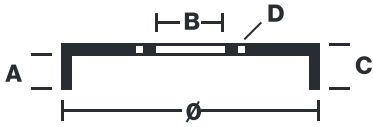


PEUGEOT P.N.: 4247.30

14.5604.10

CUSTOMER P.N.: .....

Date 29.01.97



EAN code  
**8020584560419**

Axle  
**Rear**

Diameter  
**180 mm**

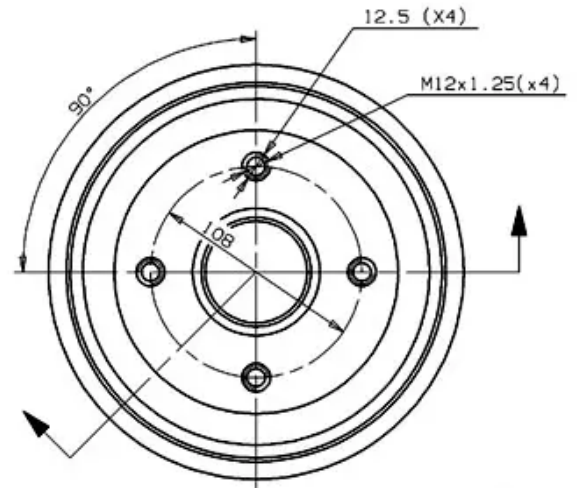
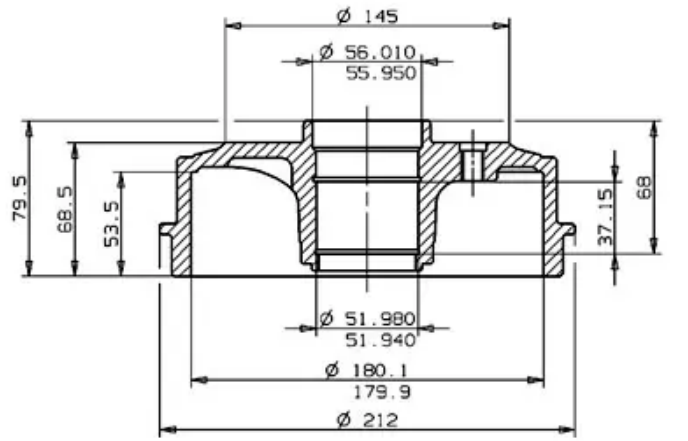
Width  
**53,5 mm**

Height  
**79,5**

Number of holes  
**4**

Centering  
**52 mm**

Max diameter  
**181 mm**



Max. DIA. 181 mm  
Weight 4.2 Kg

COMPATIBLE VEHICLES

## COMPATIBLE OE PART NUMBERS

424727	PEUGEOT
424730	PEUGEOT