

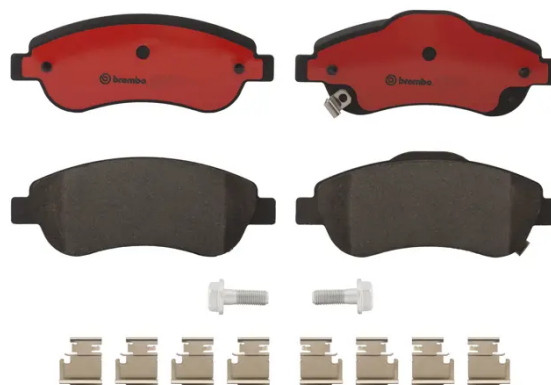


BRAKE PAD PRIME CERAMIC P28045N

The P28045N NAO brake pad is synonymous with reliability

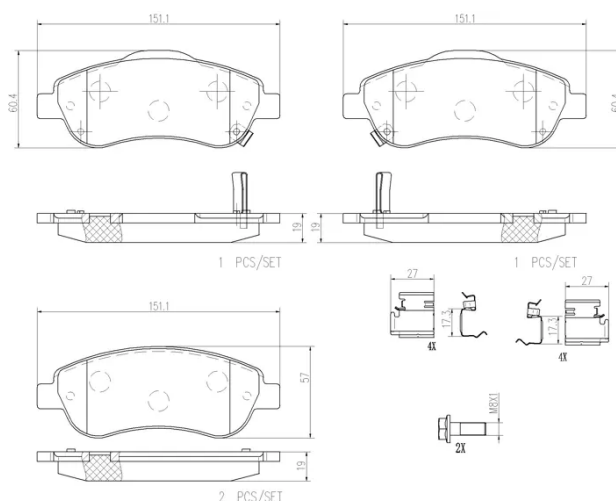
Brembo NAO brake pads stand out for their ultimate braking comfort, reduced friction wear and low dust mission, which makes for cleaner rims and reduced maintenance requirements. The advanced friction material in keeping with the strictest environmental standards is the main distinguishing feature of NAO compounds.

- ✓ OE-equivalent
- ✓ Brembo quality
- ✓ Safety
- ✓ Comfort
- ✓ Durability
- ✓ Dust reduction
- ✓ With accessories



Technical specifications

EAN code 8020584085844	Axle Front	Thickness 19 mm
Width 151 mm	Height 57 mm	Braking system Bosch
Wear indicator Acoustic	WVA number 24638,24639,24640	Accessories With accessories With anti-squeal shim With brake caliper bolts



COMPATIBLE VEHICLES

COMPATIBLE OE PART NUMBERS

45022SWWG00	HONDA
-------------	-------

45022SWWG01	HONDA
-------------	-------

45022SWWG02	HONDA
-------------	-------

45022T1EG00	HONDA
-------------	-------
