



BRAKE PAD PRIME CERAMIC P28089N

The P28089N NAO brake pad is synonymous with reliability

Brembo NAO brake pads stand out for their ultimate braking comfort, reduced friction wear and low dust mission, which makes for cleaner rims and reduced maintenance requirements. The advanced friction material in keeping with the strictest environmental standards is the main distinguishing feature of NAO compounds.

- ✓ OE-equivalent
- ✓ Brembo quality
- ✓ Safety
- ✓ Comfort
- ✓ Durability
- ✓ Dust reduction
- ✓ With accessories



Technical specifications

EAN code
8020584069776

Axle
Rear

Thickness
15 mm

Width
122 mm

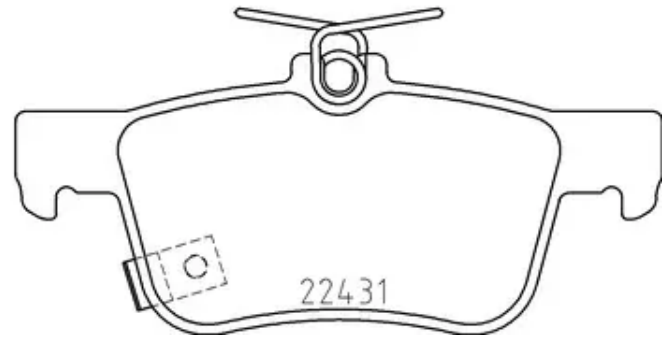
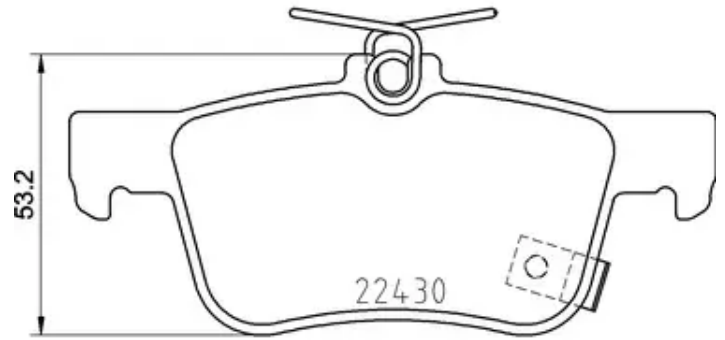
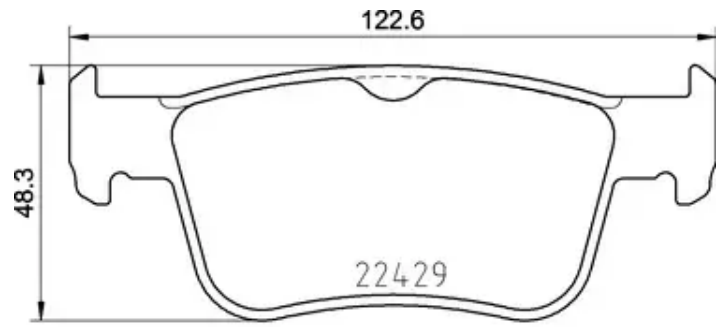
Height
53 mm

Braking system
Teves

Wear indicator
Acoustic

WVA number
22429,22430,22431

Accessories
With anti-squeal shim



COMPATIBLE VEHICLES

COMPATIBLE OE PART NUMBERS

43022TJBA02 ACURA

3502180AW01 CHANGAN

52010580300 CHANGAN

3502110XKU00A HAVAL

3502110XKU0PA HAVAL

3502110XKZ1DA HAVAL

43022T20A01 HONDA

43022T60A01 HONDA

43022TBAA02 HONDA

43022TBFA01 HONDA

43022TEAT12 HONDA

43022TGHA01 HONDA

43022TGHA11 HONDA

43022TGNG02 HONDA

43022TYFE01 HONDA

43022TBAH01 HONDA (DONGFENG)

43022TEAH01 HONDA (DONGFENG)

43022TEAH02 HONDA (DONGFENG)

43022TEAT11 HONDA (DONGFENG)

3502110XKU00A WEY

3502110XKU47A WEY
