



BRAKE PAD PRIME CERAMIC P30020N

The P30020N NAO brake pad is synonymous with reliability

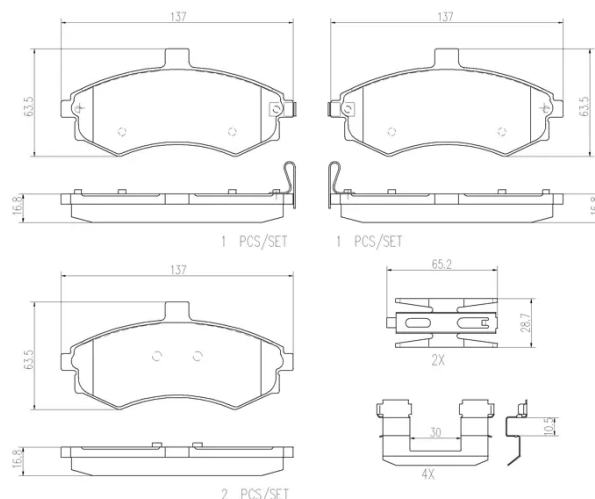
Brembo NAO brake pads stand out for their ultimate braking comfort, reduced friction wear and low dust mission, which makes for cleaner rims and reduced maintenance requirements. The advanced friction material in keeping with the strictest environmental standards is the main distinguishing feature of NAO compounds.

- ✓ OE-equivalent
- ✓ Brembo quality
- ✓ Safety
- ✓ Comfort
- ✓ Durability
- ✓ Dust reduction
- ✓ With accessories



Technical specifications

EAN code 8020584097991	Axle Front	Thickness 17 mm
Width 137 mm	Height 64 mm	Braking system Akebono
Wear indicator Acoustic	WVA number 24031,24032,24033	Accessories With anti-squeal shim



COMPATIBLE VEHICLES

COMPATIBLE OE PART NUMBERS

5810117A10	HYUNDAI
5810117A20	HYUNDAI
581012DA30	HYUNDAI
581012DA31	HYUNDAI
581012DA40	HYUNDAI
581012DA60	HYUNDAI
581012SA31	HYUNDAI
5B1012DA31	HYUNDAI
581012DA31	HYUNDAI (BEIJING)
581012FA00	KIA
581012FA01	KIA