



BRAKE PAD PRIME CERAMIC P37022N

The P37022N NAO brake pad is synonymous with reliability

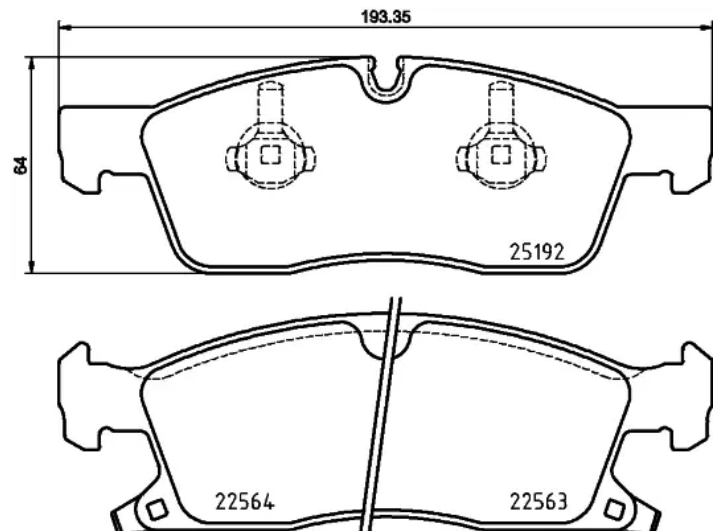
Brembo NAO brake pads stand out for their ultimate braking comfort, reduced friction wear and low dust mission, which makes for cleaner rims and reduced maintenance requirements. The advanced friction material in keeping with the strictest environmental standards is the main distinguishing feature of NAO compounds.

- ✓ OE-equivalent
- ✓ Brembo quality
- ✓ Safety
- ✓ Comfort
- ✓ Durability
- ✓ Dust reduction
- ✓ With accessories



Technical specifications

EAN code 8020584113806	Axle Front	Thickness 21 mm
Width 193 mm	Height 65 mm	Braking system TRW
Wear indicator Acoustic	WVA number 22563,22564,25192	Accessories With accessories With anti-squeal shim With piston clip



COMPATIBLE VEHICLES

COMPATIBLE OE PART NUMBERS

68516695AC	DODGE
------------	-------

00K68052370AC	JEEP
---------------	------

00K68052370AD	JEEP
---------------	------

68052370AC	JEEP
------------	------

68052370AD	JEEP
------------	------

68052370AE	JEEP
------------	------

68052370AF	JEEP
------------	------

K68052370AC	JEEP
-------------	------

K68052370AD	JEEP
-------------	------
