



BRAKE PAD PRIME CERAMIC P50066N

The P50066N NAO brake pad is synonymous with reliability

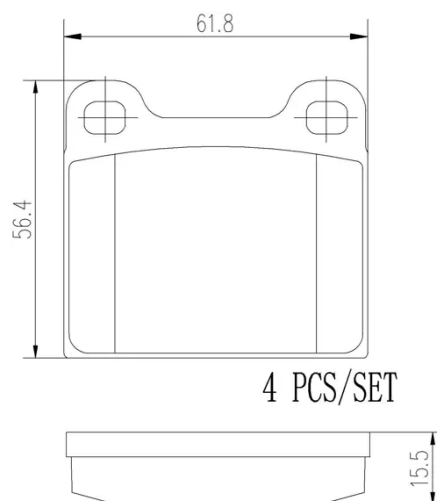
Brembo NAO brake pads stand out for their ultimate braking comfort, reduced friction wear and low dust mission, which makes for cleaner rims and reduced maintenance requirements. The advanced friction material in keeping with the strictest environmental standards is the main distinguishing feature of NAO compounds.

- ✓ OE-equivalent
- ✓ Brembo quality
- ✓ Safety
- ✓ Comfort
- ✓ Durability
- ✓ Dust reduction
- ✓ With accessories



Technical specifications

EAN code	Axle	Thickness
8020584088920	Rear	16 mm
Width	Height	Braking system
62 mm	56 mm	Teves
Wear indicator	WVA number	Accessories
Without	21035	With anti-squeal shim



COMPATIBLE VEHICLES

COMPATIBLE OE PART NUMBERS

0004205720 MERCEDES-BENZ

0004205820 MERCEDES-BENZ

0004206220 MERCEDES-BENZ

0004206280 MERCEDES-BENZ

0004207620 MERCEDES-BENZ

0014200620 MERCEDES-BENZ

001420620 MERCEDES-BENZ

0014209320 MERCEDES-BENZ

0025864742 MERCEDES-BENZ

0025864842 MERCEDES-BENZ

4634208100 MERCEDES-BENZ

A0004205720 MERCEDES-BENZ

A0004205820 MERCEDES-BENZ

A0004206220 MERCEDES-BENZ

A0004206280 MERCEDES-BENZ

A0004207620 MERCEDES-BENZ

A0014200620 MERCEDES-BENZ

A001420620 MERCEDES-BENZ

A0014209320 MERCEDES-BENZ

A0025864742 MERCEDES-BENZ

A0025864842 MERCEDES-BENZ

A4634208100 MERCEDES-BENZ

7872906 SAAB

272675 VOLVO

272774 VOLVO

2728772 VOLVO