



# BRAKE PAD PRIME CERAMIC P50092N

The P50092N NAO brake pad is synonymous with reliability

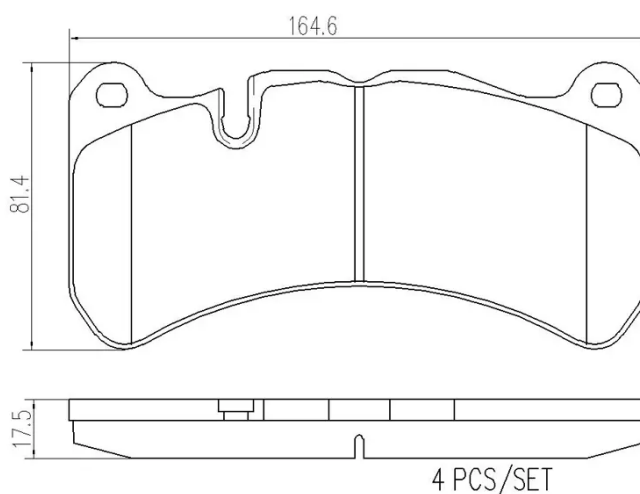
Brembo NAO brake pads stand out for their ultimate braking comfort, reduced friction wear and low dust mission, which makes for cleaner rims and reduced maintenance requirements. The advanced friction material in keeping with the strictest environmental standards is the main distinguishing feature of NAO compounds.

- ✓ OE-equivalent
- ✓ Brembo quality
- ✓ Safety
- ✓ Comfort
- ✓ Durability
- ✓ Dust reduction
- ✓ With accessories



## Technical specifications

EAN code <b>8020584088975</b>	Axle <b>Front</b>	Thickness <b>18 mm</b>
Width <b>165 mm</b>	Height <b>81 mm</b>	Braking system <b>Brembo</b>
Wear indicator <b>Prepared for wear indicator</b>	WVA number <b>23955</b>	Accessories <b>With anti-squeal shim</b>



COMPATIBLE VEHICLES

## COMPATIBLE OE PART NUMBERS

980139070 MASERATI

---

0044205020 MERCEDES-BENZ

---

0054203920 MERCEDES-BENZ

---

005420392041 MERCEDES-BENZ

---

A0044205020 MERCEDES-BENZ

---

A0054203920 MERCEDES-BENZ

---