



BRAKE PAD PRIME CERAMIC P50143N

**The P50143N NAO brake pad is
synonymous with reliability**

Brembo NAO brake pads stand out for their ultimate braking comfort, reduced friction wear and low dust mission, which makes for cleaner rims and reduced maintenance requirements. The advanced friction material in keeping with the strictest environmental standards is the main distinguishing feature of NAO compounds.

- ✓ OE-equivalent
- ✓ Brembo quality
- ✓ Safety
- ✓ Comfort
- ✓ Durability
- ✓ Dust reduction
- ✓ With accessories

Technical specifications

EAN code
8020584119396

Axle
Front

Thickness
19 mm

Width
178 mm

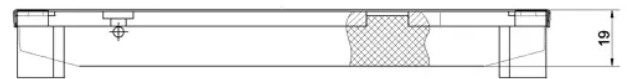
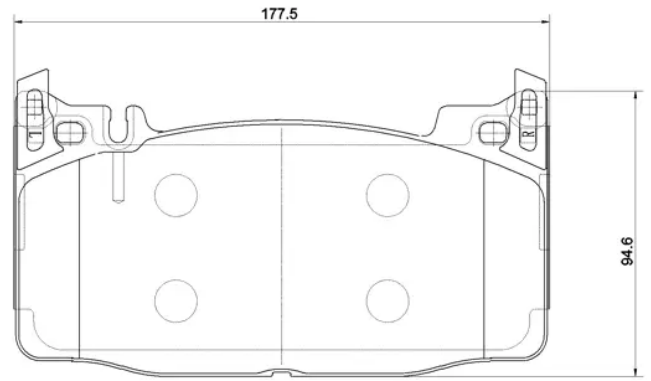
Height
95 mm

Braking system
Brembo

Wear indicator
Prepared for wear indicator

WVA number
22538

Accessories
With anti-squeal shim



4PCS/SET

COMPATIBLE VEHICLES

COMPATIBLE OE PART NUMBERS

0004204600	MERCEDES-BENZ
0004205700	MERCEDES-BENZ
0074204120	MERCEDES-BENZ
0084202620	MERCEDES-BENZ
A0004204600	MERCEDES-BENZ
A0004205700	MERCEDES-BENZ
A0074204120	MERCEDES-BENZ
A0084202620	MERCEDES-BENZ
A74204120	MERCEDES-BENZ
A84202620	MERCEDES-BENZ