



BRAKE PAD PRIME CERAMIC P56079N

The P56079N NAO brake pad is synonymous with reliability

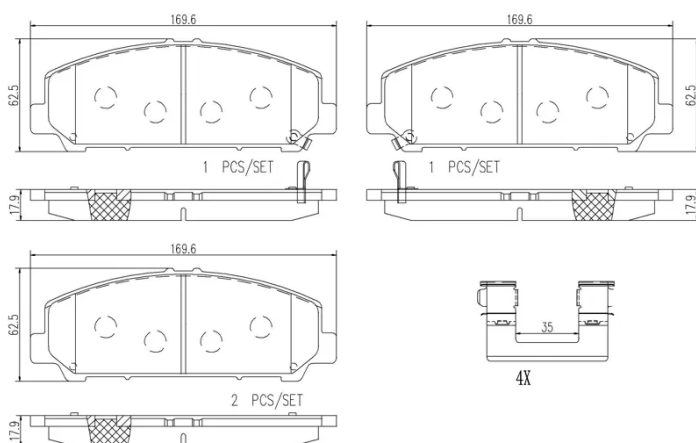
Brembo NAO brake pads stand out for their ultimate braking comfort, reduced friction wear and low dust mission, which makes for cleaner rims and reduced maintenance requirements. The advanced friction material in keeping with the strictest environmental standards is the main distinguishing feature of NAO compounds.

- ✓ OE-equivalent
- ✓ Brembo quality
- ✓ Safety
- ✓ Comfort
- ✓ Durability
- ✓ Dust reduction
- ✓ With accessories



Technical specifications

EAN code 8020584099025	Axle Front	Thickness 18 mm
Width 170 mm	Height 63 mm	Braking system Akebono
Wear indicator Acoustic	WVA number 22042,22043,22044	Accessories With anti-squeal shim



COMPATIBLE VEHICLES

COMPATIBLE OE PART NUMBERS

5521082Z30	INFINITI
------------	----------

5521082Z31	INFINITI
------------	----------

5521082Z32	INFINITI
------------	----------

D10601LA1A	INFINITI
------------	----------

D10609FE0A	INFINITI
------------	----------

D1060ZC60A	INFINITI
------------	----------

D1060ZC60J	INFINITI
------------	----------

D1M609FE0A	INFINITI
------------	----------

D1060ZC60J	NISSAN
------------	--------

D1609FE0A	NISSAN
-----------	--------

5521082Z32	SUZUKI
------------	--------

5521082Z32000	SUZUKI
---------------	--------