



# BRAKE PAD PRIME CERAMIC P83106N

The P83106N NAO brake pad is synonymous with reliability

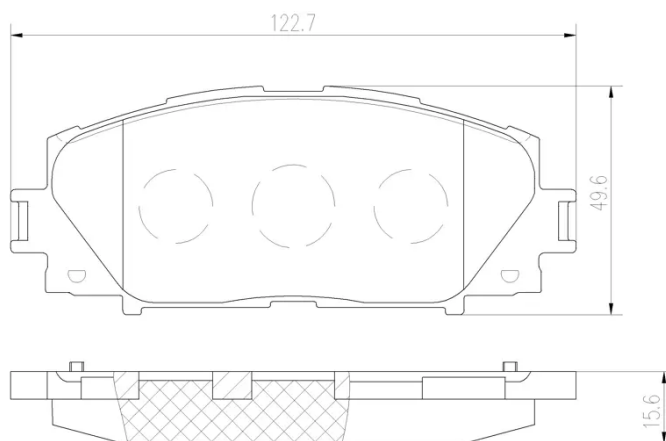
Brembo NAO brake pads stand out for their ultimate braking comfort, reduced friction wear and low dust mission, which makes for cleaner rims and reduced maintenance requirements. The advanced friction material in keeping with the strictest environmental standards is the main distinguishing feature of NAO compounds.

- ✓ OE-equivalent
- ✓ Brembo quality
- ✓ Safety
- ✓ Comfort
- ✓ Durability
- ✓ Dust reduction
- ✓ With accessories



## Technical specifications

EAN code <b>8020584081532</b>	Axle <b>Front</b>	Thickness <b>16 mm</b>
Width <b>123 mm</b>	Height <b>50 mm</b>	Braking system <b>Akebono</b>
Wear indicator <b>Without</b>	WVA number <b>24451</b>	Accessories <b>With accessories</b> <b>With anti-squeal shim</b> <b>With piston clip</b>



4PCE/SET

COMPATIBLE VEHICLES

## COMPATIBLE OE PART NUMBERS

3501140XG83XA	HAVAL
044650W140	TOYOTA
044650W141	TOYOTA
044650W14100	TOYOTA
0446512660	TOYOTA
0446547060	TOYOTA
0446547070	TOYOTA
0446547080	TOYOTA
0446547090	TOYOTA
0446547100	TOYOTA
04465B1351	TOYOTA
SHZ3501100	ZHONGHUA (BRILLIANCE)