



BRAKE PAD PRIME CERAMIC

P83164N

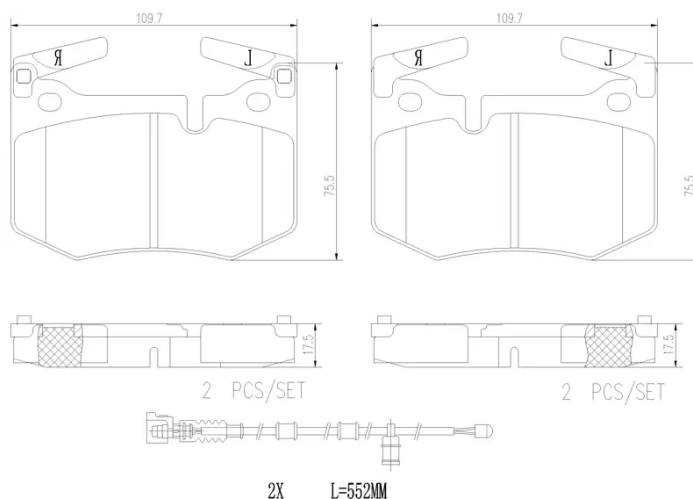
The P83164N NAO brake pad is synonymous with reliability

Brembo NAO brake pads stand out for their ultimate braking comfort, reduced friction wear and low dust mission, which makes for cleaner rims and reduced maintenance requirements. The advanced friction material in keeping with the strictest environmental standards is the main distinguishing feature of NAO compounds.

- ✓ OE-equivalent
- ✓ Brembo quality
- ✓ Safety
- ✓ Comfort
- ✓ Durability
- ✓ Dust reduction
- ✓ With accessories

Technical specifications

EAN code 8020584119921	Axle Rear	Thickness 18 mm
Width 110 mm	Height 76 mm	Braking system Sumitomo
Wear indicator Electric	WVA number 22542,22543	Accessories With anti-squeal shim With counterweights



COMPATIBLE VEHICLES

COMPATIBLE OE PART NUMBERS

044660W070	LEXUS
------------	-------

044660W080	LEXUS
------------	-------

044660W090	LEXUS
------------	-------

044660W091	LEXUS
------------	-------

044660W100	LEXUS
------------	-------
