



BRAKE PAD PRIME CERAMIC P86002N

**The P86002N NAO brake pad is
synonymous with reliability**

Brembo NAO brake pads stand out for their ultimate braking comfort, reduced friction wear and low dust mission, which makes for cleaner rims and reduced maintenance requirements. The advanced friction material in keeping with the strictest environmental standards is the main distinguishing feature of NAO compounds.

- ✓ OE-equivalent
- ✓ Brembo quality
- ✓ Safety
- ✓ Comfort
- ✓ Durability
- ✓ Dust reduction
- ✓ With accessories



Technical specifications

EAN code
8020584100172

Axle
Rear

Thickness
15 mm

Width
62 mm

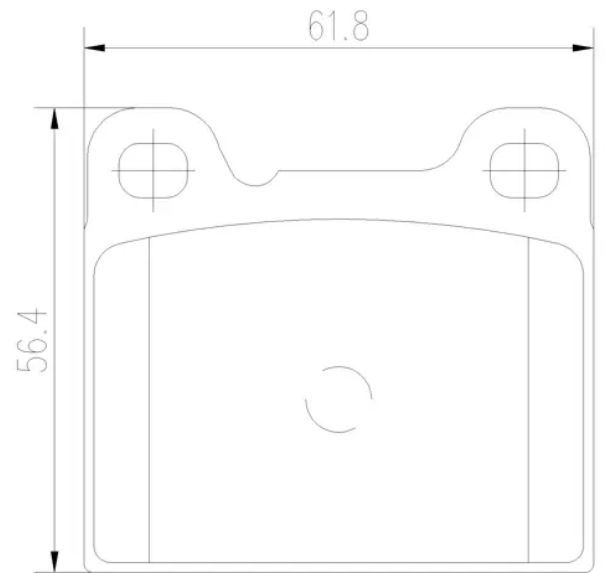
Height
56 mm

Braking system
Teves

Wear indicator
Without

WVA number
20755

Accessories
With anti-squeal shim



4PCS/SET

COMPATIBLE VEHICLES

COMPATIBLE OE PART NUMBERS

2713360 ALFA ROMEO

270166 VOLVO

2701662 VOLVO

271336 VOLVO

271477 VOLVO

2714772 VOLVO

271586 VOLVO

2715860 VOLVO

271668 VOLVO

271702 VOLVO

271758 VOLVO

2717580 VOLVO

2717585 VOLVO

271824 VOLVO

2718245 VOLVO

271959 VOLVO

2719599 VOLVO

271962 VOLVO

272407 VOLVO

2724078 VOLVO

272463 VOLVO

2724630 VOLVO

2724631 VOLVO

272531 VOLVO

272535 VOLVO

272569 VOLVO

2725695 VOLVO

2727741 VOLVO

272782 VOLVO

2727820 VOLVO

2728700 VOLVO

2728707 VOLVO

272911 VOLVO

30793802 VOLVO

307938020 VOLVO

31261185 VOLVO

312611850 VOLVO

8628240 VOLVO