



# BRAKE PAD

## P 24 075

The P 24 075 brake pad is synonymous with reliability

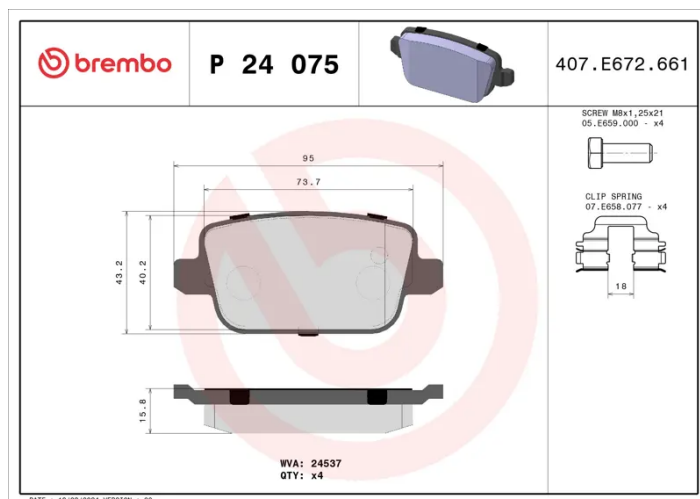
The Brembo brake pad guarantees ultimate safety when braking thanks to the use of more than 100 different compounds, designed according to the type of vehicle and use. Stopping distances reduced to a minimum, maximum driving comfort and silent operation are the most important features of Brembo materials. Brembo brake pads are supplied together with an extensive range of accessories and assembly kits for professional-standard installation.

- ✓ OE-equivalent
- ✓ Brembo quality
- ✓ ECE-R90 certificate
- ✓ Safety
- ✓ Performance
- ✓ Comfort
- ✓ With accessories



### Technical specifications

EAN code <b>8020584060483</b>	Axle <b>Rear</b>	Thickness <b>16 mm</b>
Width <b>95 mm</b>	Height <b>43 mm</b>	Braking system <b>TRW</b>
Wear indicator <b>Without</b>	WVA number <b>24537</b>	Accessories <b>With accessories</b> <b>With brake caliper bolts</b> <b>With anti-squeal shim</b>



**COMPATIBLE VEHICLES**

## COMPATIBLE OE PART NUMBERS

1438867	FORD
1439867	FORD
1459408	FORD
1477803	FORD
15662234	FORD
1566234	FORD
1682005	FORD
1699667	FORD
1756395	FORD
1917249	FORD
1917250	FORD
6G9012M008GD	FORD
6G912M008GA	FORD
6G912M008GB	FORD
6G912M008GC	FORD
6G912M008GD	FORD
6G912M008GF	FORD
6G912MM08GA	FORD
6G912MM08GB	FORD
6G912MM08GC	FORD
71BG8200AA	FORD
ME6G9J2M008GA	FORD
ME6G9J2M008GB	FORD
ME6G9J2M008GC	FORD
MEMG9J2M008A2A	FORD
1445214	FORD (CHANGAN)
1585939	FORD (CHANGAN)
1699667	FORD (CHANGAN)
7G9N2M008AA	FORD (CHANGAN)
7G9N2M008AB	FORD (CHANGAN)
7G9N2M008AC	FORD (CHANGAN)