

Bremseklodser, tekniske data

Aksel

Forreste

WVA

21245, 21246

Bredde

129,12 mm

Tykkelse

17,4 mm

Højde

68,1 mm

Bremsesystem

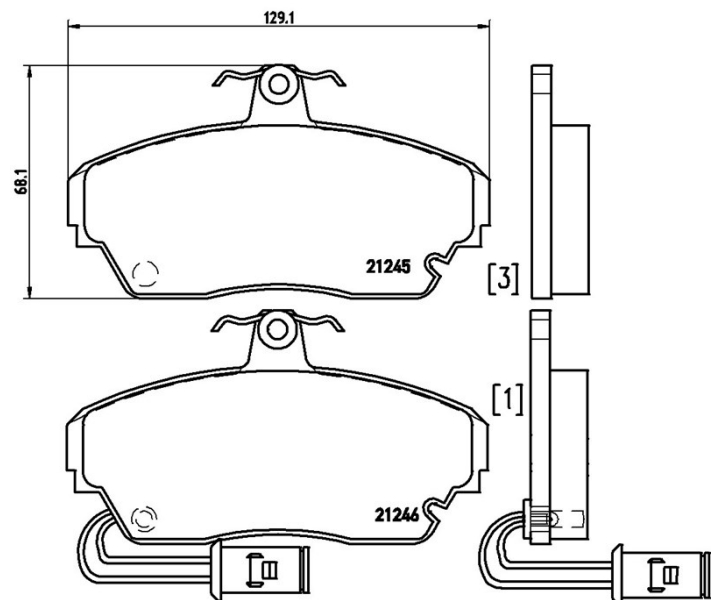
Lucas

Tilbehør**Slidindikator**

Electric

EAN-kode

8020584052488



Kompatible køretøjer

ACURA				
Model	Type	Kw	År	
LEGEND	2.0	107	01/88 08/91	
LEGEND	2.5	122	01/86 12/87	
LEGEND	2.7	124	01/87 08/91	
LEGEND	2.7	130	01/87 08/91	
LEGEND Coupe	2.7	130	01/87 08/91	
HONDA				
Model	Type	Kw	År	
LEGEND I (HS, KA)	2.5 i (HS)	110	01/86 12/87	
LEGEND I (HS, KA)	2.5 i (HS)	127	02/87 06/88	

LEGEND I (HS, KA)	2.7 i 24V (KA4)	124	01/88 12/90
LEGEND I Coupe (KA_)	2.7 i 24V (KA3)	124	10/87 12/90
ROVER			
Model	Type	Kw	År
800 (XS)	2.0 E	84	10/88 10/91
800 (XS)	820	74	10/88 10/91
800 (XS)	820 16 V I/SI (XS)	103	10/86 10/88
800 (XS)	820 I/SI (RS)	100	01/92 02/99
800 (XS)	820 SE/SI	88	10/86 12/91
800 (XS)	820 SI (XS)	98	10/88 12/91
800 (XS)	820e	88	10/86 10/91
800 (XS)	825 D/SD (XS)	87	01/90 02/99
800 Hatchback (XS)	2.0	100	08/87 09/88
800 Hatchback (XS)	2.0	74	08/87 10/91
800 Hatchback (XS)	820 i/Si (XS)	103	10/88 12/91
800 Hatchback (XS)	820 SE/SI	88	10/86 12/91
800 Hatchback (XS)	820 SI (XS)	98	10/88 12/91
800 Hatchback (XS)	825 D/SD (XS)	87	01/92 02/99
TATA			
Model	Type	Kw	År
INDICA (40_V2)	1.4 D	37	07/03 02/08
INDICA (40_V2)	1.4 D	39	10/98 02/08
INDICA (40_V2)	1.4 Elegance	62	07/03 -
INDICA (40_V2)	1.4 i	55	10/98 -
INDICA (40_V2)	1.4 L	44	06/98 09/02
INDICA (40_V2)	1.4 TD	52	07/03 -
INDICA (40_V2)	1.4 TD LS	46	06/98 06/03

OE delnummer

Kompatible OE koder	
HONDA	45022SG9000
HONDA	45022SG9V00
HONDA	45215SG9000
ROVER	GBP90309

ROVER

GBP90311

ROVER

GBP90334
