

## Bremseklodser, tekniske data

**Aksel**  
Bageste

**WVA**  
20087, 20091

**Bredde**  
85,1 mm

**Tykkelse**  
14 mm

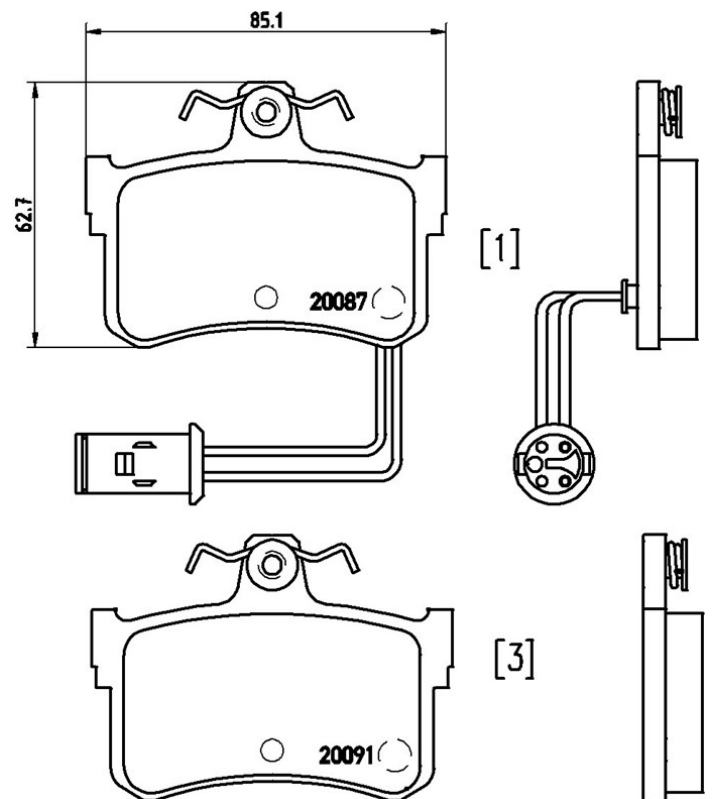
**Højde**  
62,7 mm

**Bremsesystem**  
Lucas

**Tilbehør**

**Slidindikator**  
Electric

**EAN-kode**  
8020584052495



## Kompatible køretøjer

ACURA				
Model	Type	Kw	År	
LEGEND	2.0	107	01/88 08/91	
LEGEND	2.5	122	01/86 12/87	
LEGEND	2.7	124	01/87 08/91	
LEGEND	2.7	130	01/87 08/91	
LEGEND Coupe	2.7	130	01/87 08/91	

**HONDA**

Model	Type	Kw	År
LEGEND I (HS, KA)	2.5 i (HS)	110	01/86 12/87
LEGEND I (HS, KA)	2.5 i (HS)	127	02/87 06/88
LEGEND I (HS, KA)	2.7 i 24V (KA4)	124	01/88 12/90
LEGEND I Coupe (KA_)	2.7 i 24V (KA3)	124	10/87 12/90

**ROVER**

Model	Type	Kw	År
800 (XS)	2.0 E	84	10/88 10/91
800 (XS)	2.7	127	10/87 09/88
800 (XS)	820	74	10/88 10/91
800 (XS)	820 16 V I/SI (XS)	103	10/86 10/88
800 (XS)	820 I/SI (RS)	100	01/92 02/99
800 (XS)	820 SE/SI	88	10/86 12/91
800 (XS)	820 SI (XS)	98	10/88 12/91
800 (XS)	820e	88	10/86 10/91
800 (XS)	825 D/SD (XS)	87	01/90 02/99
800 (XS)	825 SI/Sterling (XS)	127	01/87 12/91
800 (XS)	825 SI/Sterling (XS)	123	10/86 10/88
800 (XS)	825 SI/Sterling Catalytic-Conv (XS)	110	10/86 12/91
800 (XS)	827 SI/Sterling (XS)	130	02/88 12/91
800 (XS)	827 SI/Sterling Catalytic-Conv (XS)	124	02/88 02/99
800 Hatchback (XS)	2.0	100	08/87 09/88
800 Hatchback (XS)	2.0	74	08/87 10/91
800 Hatchback (XS)	2.5	129	02/96 10/98
800 Hatchback (XS)	2.5 Si	129	02/96 10/98
800 Hatchback (XS)	2.5 Sterling	110	10/88 10/91
800 Hatchback (XS)	2.7	127	10/87 09/88
800 Hatchback (XS)	820 i/Si (XS)	103	10/88 12/91
800 Hatchback (XS)	820 SE/SI	88	10/86 12/91
800 Hatchback (XS)	820 SI (XS)	98	10/88 12/91
800 Hatchback (XS)	825 D/SD (XS)	87	01/92 02/99
800 Hatchback (XS)	827 24V I/SI Cat (RS)	124	01/92 02/99

800 Hatchback (XS)	827 Vitesse Catalytic-Conv (XS)	124	10/88 12/91
800 Hatchback (XS)	827 Vitesse/SLI	130	10/88 12/91

## OE delnummer

### Kompatible OE koder

HONDA	43022SG9V00
ROVER	GBP90302