



BRAKE PAD

P 28 016

The P 28 016 brake pad is synonymous with reliability

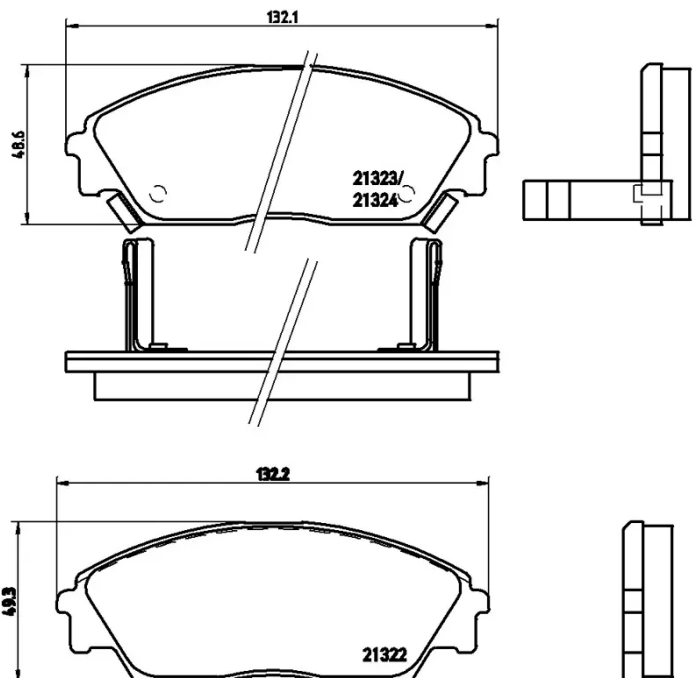
The Brembo brake pad guarantees ultimate safety when braking thanks to the use of more than 100 different compounds, designed according to the type of vehicle and use. Stopping distances reduced to a minimum, maximum driving comfort and silent operation are the most important features of Brembo materials. Brembo brake pads are supplied together with an extensive range of accessories and assembly kits for professional-standard installation.

- ✓ OE-equivalent
- ✓ Brembo quality
- ✓ ECE-R90 certificate
- ✓ Safety
- ✓ Performance
- ✓ Comfort



Technical specifications

EAN code 8020584052501	Axle Front	Thickness 15 mm
Width 132 mm	Height 49 mm	Braking system Akebono
Wear indicator Acoustic	WVA number 21322,21323,21324	Accessories With anti-squeal shim



COMPATIBLE VEHICLES

COMPATIBLE OE PART NUMBERS

45022SE0000 HONDA

45022SE0010 HONDA

45022SE0020 HONDA

45022SE0509 HONDA

45022SF1000 HONDA

45022SF1010 HONDA

45022SF1020 HONDA

45022SF1023 HONDA

45022SF1305 HONDA

45022SF1505 HONDA

45022SF1506 HONDA

45022SF1515 HONDA

45022SF1525 HONDA

45022SF1526 HONDA

45022SH3317 HONDA

45022SH3327 HONDA

45022SH3505 HONDA

45022SH3509 HONDA

45022SH3515 HONDA

45022SH3519 HONDA

45022SH3539 HONDA

45022SH3549 HONDA

45022SH3930 HONDA

45022SH3931 HONDA

45022SH3932 HONDA

45022SH3933 HONDA

45022SH3934 HONDA

45022SH3G30 HONDA

45022SH3G31 HONDA

45022SH3G32 HONDA

45022SH3G33 HONDA

H4502SH3003 HONDA

AY040HN001 NISSAN

AY040HN004 NISSAN
