

Bremseklodser, tekniske data

Aksel

Forreste

WVA

23518, 23519, 23520

Bredde

137 mm

Tykkelse

17 mm

Højde

52,3 mm

Bremsesystem

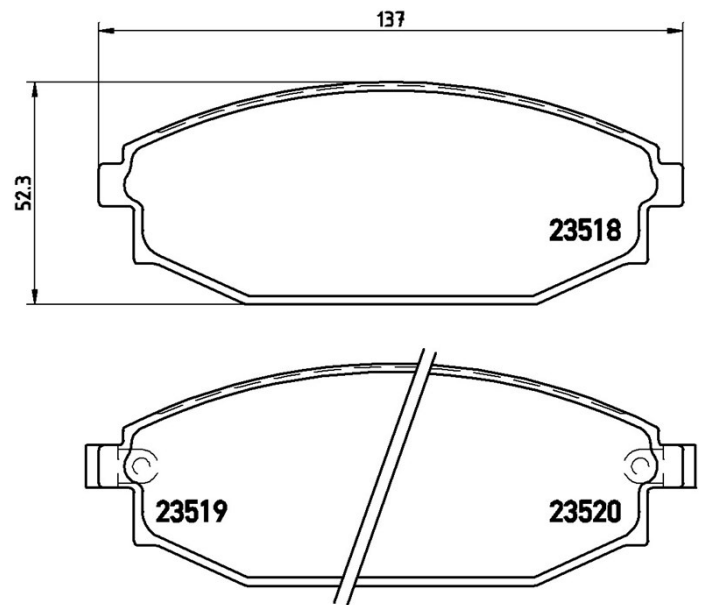
Sumitomo

Tilbehør**Slidindikator**

Acoustic

EAN-kode

8020584054741



Kompatible køretøjer

HYUNDAI

Model	Type	Kw	År
GALLOPER I	2.5 TD	62	08/91 07/98
GALLOPER I	2.5 TD intercooler	70	08/91 07/98
GALLOPER I	3.0 V6	104	08/91 07/98
GALLOPER II (JK-01)	2.5 TCi D	77	08/98 12/03
GALLOPER II (JK-01)	2.5 TD	65	08/98 12/03
GALLOPER II (JK-01)	2.5 TD intercooler	73	08/98 12/03
GALLOPER II (JK-01)	2.6 TD All-wheel Drive	63	08/98 06/03
GALLOPER II (JK-01)	3.0 AWD	118	05/99 09/01
GALLOPER II (JK-01)	3.0 V6	104	08/98 12/03

mitsubishi

Model	Type	Kw	År
GALLOPER (JK-01)	2.5 TD	65	09/98 12/03
GALLOPER (JK-01)	2.5 TD intercooler	73	09/98 12/03
GALLOPER (JK-01)	3.0 V6	104	09/98 12/03

OE delnummer**Kompatible OE koder**

HYUNDAI	58101M1A00
HYUNDAI	S2000100
HYUNDAI	SB000100
KIA	58101M1A00
mitsubishi	58101M1A00
mitsubishi	S2000100
mitsubishi	SB000100