

Bremseklodser, tekniske data

Aksel

Forreste

WVA

21679, 21680

Bredde

119,2 mm

Tykkelse

15 mm

Højde

68,1 mm

Bremsesystem

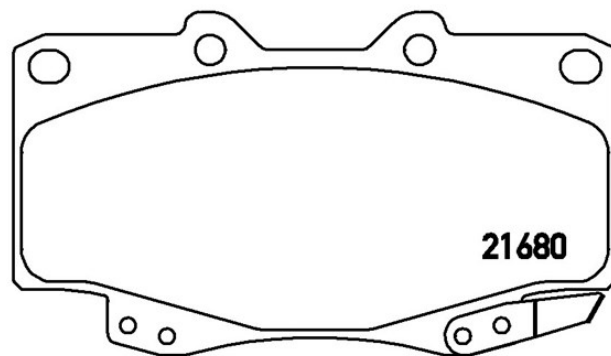
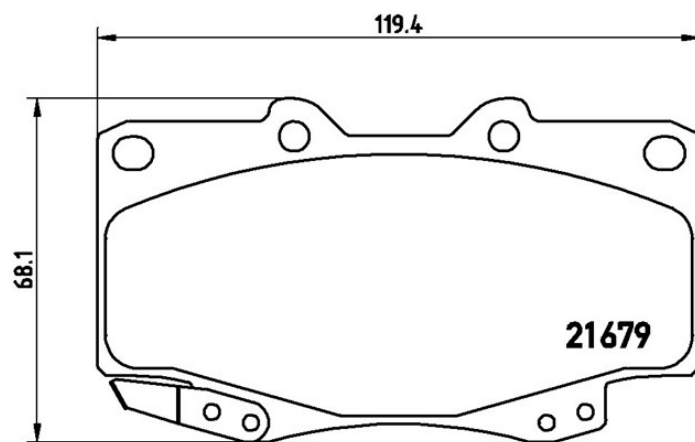
Sumitomo

Tilbehør**Slidindikator**

Acoustic

**EAN-kode**

8020584059692



Kompatible køretøjer

TOYOTA

Model	Type	Kw	År
FORTUNER (_N5_, _N6_)	2.5 D-4D 4WD (KUN50)	75	01/09 05/15
FORTUNER (_N5_, _N6_)	2.5 D-4D 4WD (RZN215, KUN50)	106	07/11 05/15
FORTUNER (_N5_, _N6_)	2.7 (TGN61_)	116	03/09 05/15
FORTUNER (_N5_, _N6_)	2.7 (TGN61_)	118	06/04 05/15

FORTUNER (_N5_, _N6_)	2.7 4WD (TGN51_)	118	06/04 05/15
FORTUNER (_N5_, _N6_)	3.0 D (KUN61)	125	08/09 05/15
FORTUNER (_N5_, _N6_)	3.0 D 4WD (KUN51)	120	06/04 05/15
FORTUNER (_N5_, _N6_)	3.0 D 4WD (KUN51_)	126	08/09 05/15
HILUX Platform/Chassis (_N1_, _N2_)	3.0 D (KUN16_)	126	02/05 -
HILUX Platform/Chassis (_N1_, _N2_)	3.0 D 4WD (KUN26_)	126	02/05 -
HILUX Platform/Chassis (_N1_, _N2_)	4.0 (GGN15_)	175	02/05 -
HILUX Platform/Chassis (_N1_, _N2_)	4.0 4WD (GGN25_)	175	02/05 -
HILUX VII Pickup (_N1_, _N2_, _N3_)	3.0 D 4WD (KUN26_)	120	08/05 05/15
HILUX VII Pickup (_N1_, _N2_, _N3_)	3.0 D-4D 4WD	145	05/08 12/08
HILUX VII Pickup (_N1_, _N2_, _N3_)	3.0 D-4D 4WD (KUN26)	126	08/05 05/15
HILUX VII Pickup (_N1_, _N2_, _N3_)	4.0 (GGN15)	175	08/05 -
HILUX VII Pickup (_N1_, _N2_, _N3_)	4.0 4WD (GGN25)	175	08/05 -

OE delnummer

Kompatible OE koder

TOYOTA	044650K020
TOYOTA	044650K140
TOYOTA	04465YZZDV