



BRAKE PAD XTRA P 85 150X

The P 85 150X Xtra brake pad is synonymous with reliability

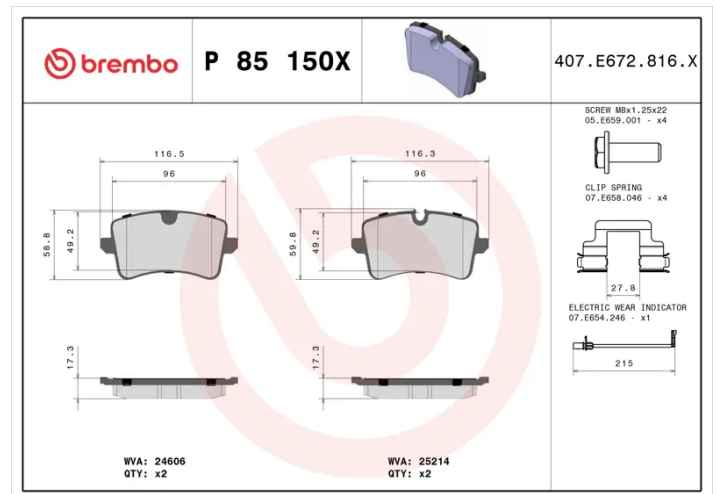
Brembo Xtra brake pads, developed to enhance the advantages of the Xtra and Max discs, are made using the special BRM X L01 compound which consists of more than 30 different components. Compared with the compound used for original-equivalent pads, the new solution assures a higher friction coefficient, which translates to more precise and stable braking, at both high and low temperatures. All this makes for greater driving comfort and improved pedal modularity, without compromising the product's mileage output.



- ✓ Brembo quality
- ✓ ECE-R90 certificate
- ✓ Safety
- ✓ Performance
- ✓ Sports driving
- ✓ With accessories

Technical specifications

EAN code 8020584121993	Axle Rear	Thickness 18 mm
Width 117 mm	Height 59 mm	Braking system Lucas
Wear indicator Electric	WVA number 24606,25214	Accessories With accessories With anti-squeal shim With brake caliper bolts



COMPATIBLE VEHICLES

COMPATIBLE OE PART NUMBERS

4G0698451A	AUDI
------------	------

4G0698451J	AUDI
------------	------

4GD698451A	AUDI (FAW)
------------	------------

9A769845100	PORSCHE
-------------	---------

PAB698451	PORSCHE
-----------	---------

4G0698451A	SEAT
------------	------

4G0698451J	SEAT
------------	------

4G0698451A	SKODA
------------	-------

4G0698451J	SKODA
------------	-------

4G0698451A	VW
------------	----

4G0698451J	VW
------------	----