



BRAKE PAD PRIME CERAMIC P50097N

The P50097N NAO brake pad is synonymous with reliability

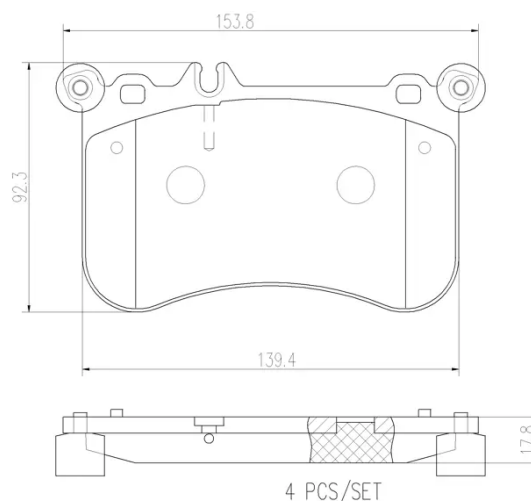
Brembo NAO brake pads stand out for their ultimate braking comfort, reduced friction wear and low dust mission, which makes for cleaner rims and reduced maintenance requirements. The advanced friction material in keeping with the strictest environmental standards is the main distinguishing feature of NAO compounds.

- ✓ OE-equivalent
- ✓ Brembo quality
- ✓ Safety
- ✓ Comfort
- ✓ Durability
- ✓ Dust reduction
- ✓ With accessories



Technical specifications

EAN code 8020584088999	Axle Front	Thickness 18 mm
Width 154 mm	Height 92 mm	Braking system Brembo
Wear indicator Prepared for wear indicator	WVA number 25219	Accessories With anti-squeal shim With counterweights



COMPATIBLE VEHICLES