



# BRAKE DISC

## 08.5243.30

The 08.5243.30 brake disc is synonymous with reliability

The Brembo brake disc is fully interchangeable with an Original Equipment brake disc. The control of the entire production cycle allows Brembo to offer brake discs with outstanding performance levels, reliability, durability and comfort in all conditions of use. All Brembo brake discs are accompanied by the ECE-R90 homologation.

- ✓ OE-equivalent
- ✓ Brembo quality
- ✓ ECE-R90 certificate
- ✓ Safety



### Technical specifications



EAN code  
**8020584524336**

Axle  
**Front**

Diameter Ø  
**234 mm**

Thickness (TH)  
**13 mm**

Height (A)  
**45 mm**

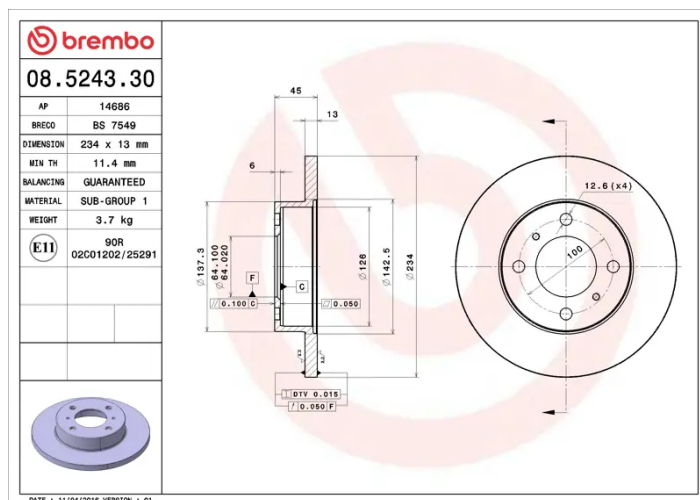
Number of holes (C)  
**4**

Brake disc type  
**Solid**

Centering (B)  
**64 mm**

Min. thickness  
**11,4 mm**

Tightening torque  
**108 Nm**



COMPATIBLE VEHICLES

## COMPATIBLE OE PART NUMBERS

MB699280	DODGE
----------	-------

MB699281	DODGE
----------	-------

MB699280	EAGLE
----------	-------

MB699281	EAGLE
----------	-------

MB699280	MITSUBISHI
----------	------------

MB699281	MITSUBISHI
----------	------------

MB699280	PROTON
----------	--------

MB699281	PROTON
----------	--------