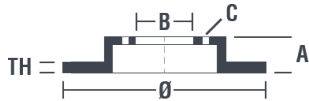


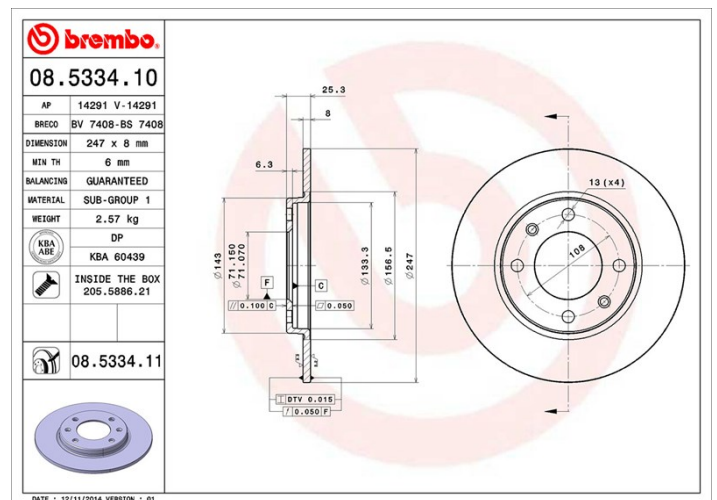
Technische Daten der Scheiben

Achse Hinten	Durchmesser 247 mm
Gesamthöhe (A) 25,3 mm	Nabendurchmesser (B) 71 mm
Anzahl der Bohrungen (C) 4	Stärke (TH) 8 mm
Minimalstärke 6 mm	Anzugsmoment  85 Nm
Stück pro Karton 2	EAN-Code 8020584533413



Herstellernummer

Brembo 08.5334.10	AP 14291	Breco BS 7408
-----------------------------	--------------------	-------------------------



Technische Daten

Scheibe mit Befestigungsschraube

Die der Verpackung beigelegte Befestigungsschraube erleichtert Mechanikern die Arbeit, insbesondere bei verrostetem oder verschlissenen Originalteil.



Kompat. Fahrzeug.

CITROËN (DF-PSA)

Modell	Typ	kW	Baujahr
XSARA Saloon	2.0	97	05/03 12/05

PEUGEOT

Modell	Typ	kW	Baujahr
106 II (1)	1.6 i	74	05/96 01/01
106 II (1)	1.6 S16	87	05/96 07/04
206 CC (2D)	1.6	81	09/01 12/08
206 CC (2D)	1.6 16V	80	09/00 -
206 CC (2D)	1.6 HDi 110	80	04/05 -

206 CC (2D)	2.0 S16	100	09/00 -
206 Hatchback (2A/C)	1.4 16V	65	10/03 -
206 Hatchback (2A/C)	1.4 HDi	51	09/02 02/07
206 Hatchback (2A/C)	1.6	81	05/05 07/08
206 Hatchback (2A/C)	1.6 16V	80	07/00 04/09
206 Hatchback (2A/C)	1.6 HDi 110	80	05/04 -
206 Hatchback (2A/C)	1.6 i	65	09/98 12/00
206 Hatchback (2A/C)	1.9 D	51	09/98 11/01
206 Hatchback (2A/C)	2.0 HDI 90	66	12/99 -
206 Hatchback (2A/C)	2.0 RC	130	07/03 -
206 Hatchback (2A/C)	2.0 S16	99	04/99 10/00
206 Hatchback (2A/C)	2.0 S16	100	06/99 -
206 Saloon	1.6 16V	80	03/07 -
206 SW (2E/K)	1.1	44	07/02 -
206 SW (2E/K)	1.4	55	07/02 02/07
206 SW (2E/K)	1.4 16V	65	10/03 -
206 SW (2E/K)	1.4 HDi	50	07/02 -
206 SW (2E/K)	1.6	81	05/05 07/08
206 SW (2E/K)	1.6 16V	80	07/02 -
206 SW (2E/K)	1.6 HDi 110	80	05/04 -
206 SW (2E/K)	2.0 16V	100	07/02 02/07
206 SW (2E/K)	2.0 HDi	66	07/02 -
206 Van	1.4 HDi	50	09/01 03/09
206 Van	1.9 D	51	04/99 05/07
306 (7B, N3, N5)	1.8	74	06/94 05/01
306 (7B, N3, N5)	1.8 16V	81	03/97 05/01
306 (7B, N3, N5)	1.8 ST	74	06/94 05/01
306 (7B, N3, N5)	2.0	97	03/97 05/01
306 (7B, N3, N5)	2.0 HDI 90	66	06/99 12/01
306 (7B, N3, N5)	2.0 S16	110	06/94 05/01
306 (7B, N3, N5)	2.0 S16	112	06/94 05/01
306 (7B, N3, N5)	2.0 ST	89	07/94 05/01
306 Break (7E, N3, N5)	1.8	74	03/97 04/02
306 Break (7E, N3, N5)	1.8 16V	81	03/97 04/02

306 Break (7E, N3, N5)	1.9 D	50	03/97 04/02
306 Break (7E, N3, N5)	1.9 D	55	03/98 04/02
306 Break (7E, N3, N5)	1.9 D	51	05/97 05/99
306 Break (7E, N3, N5)	1.9 D	51	09/98 04/02
306 Break (7E, N3, N5)	1.9 TD	66	02/97 04/02
306 Break (7E, N3, N5)	2.0	97	03/97 04/02
306 Break (7E, N3, N5)	2.0 HDI 90	66	06/99 04/02
306 Convertible (7D, N3, N5)	1.8	74	03/94 04/02
306 Convertible (7D, N3, N5)	1.8 16V	81	05/97 04/02
306 Convertible (7D, N3, N5)	2.0	89	03/94 04/02
306 Convertible (7D, N3, N5)	2.0 16V	97	03/97 04/02
306 Convertible (7D, N3, N5)	2.0 16V	99	03/97 04/02
306 Hatchback (7A, 7C, N3, N5)	1.8	74	05/93 05/01
306 Hatchback (7A, 7C, N3, N5)	1.8	74	05/93 05/01
306 Hatchback (7A, 7C, N3, N5)	1.8 16V	81	03/97 05/01
306 Hatchback (7A, 7C, N3, N5)	2.0 16V	97	03/97 05/01
306 Hatchback (7A, 7C, N3, N5)	2.0 16V	99	03/97 06/00
306 Hatchback (7A, 7C, N3, N5)	2.0 HDI 90	66	06/99 12/02
306 Hatchback (7A, 7C, N3, N5)	2.0 S16	112	05/93 05/01
306 Hatchback (7A, 7C, N3, N5)	2.0 S16	110	06/94 05/01
306 Hatchback (7A, 7C, N3, N5)	2.0 S16	120	06/96 05/01
306 Hatchback (7A, 7C, N3, N5)	2.0 XSi	89	05/93 05/01

PEUGEOT (DF-PSA)

Modell	Typ	kW	Baujahr
206	1.4	56	07/06 02/09
206	1.6	78	01/06 02/09

OE-Teilenr.

Passende OE-Teilenummern

PEUGEOT	4246G6
PEUGEOT	4249F5