

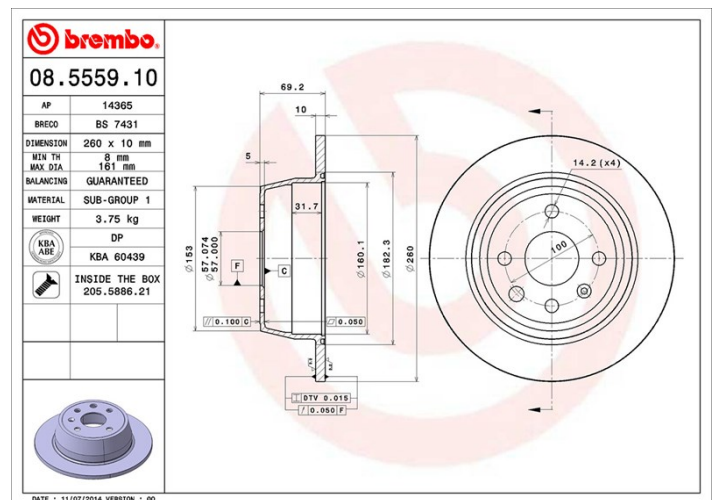
Technische Daten der Scheiben

Achse Hinten	Durchmesser 260 mm
Gesamthöhe (A) 69,2 mm	Nabendurchmesser (B) 57 mm
Anzahl der Bohrungen (C) 4	Stärke (TH) 10 mm
Minimalstärke 8 mm	Anzugsmoment 110 Nm
Stück pro Karton 2	EAN-Code 8020584555910



Herstellernummer

Brembo 08.5559.10	AP 14365	Breco BS 7431
-----------------------------	--------------------	-------------------------



Technische Daten

Scheibe mit Befestigungsschraube

Die der Verpackung beigelegte Befestigungsschraube erleichtert Mechanikern die Arbeit, insbesondere bei verrostetem oder verschlissenem Originalteil.



Kompat. Fahrzg.

OPEL			
Modell	Typ	kW	Baujahr
ASTRA F (T92)	1.8 i 16V (F19, M19)	92	06/93 10/94
ASTRA F (T92)	1.8 i 16V (F19, M19)	85	09/95 08/97
ASTRA F (T92)	1.8 i 16V (F19, M19)	82	09/95 09/96
ASTRA F (T92)	1.8 i 16V (F19, M19)	85	11/94 09/98
ASTRA F (T92)	2.0 i (F19, M19)	85	03/92 09/98
ASTRA F (T92)	2.0 i 16V (F19, M19)	100	02/95 09/98
ASTRA F CLASSIC Estate (T92)	1.6 i 16V (F35, M35)	74	01/98 01/05
ASTRA F Convertible (T92)	1.8 i 16V	85	11/94 03/01

ASTRA F Convertible (T92)	2.0 i	85	03/93 10/94
ASTRA F Estate (T92)	1.8 i 16V (F08, C05)	92	06/93 01/98
ASTRA F Estate (T92)	1.8 i 16V (F08, C05)	85	07/94 01/98
ASTRA F Estate (T92)	2.0 i (F08, C05)	85	09/91 07/94
ASTRA F Estate (T92)	2.0 i 16V (F08, C05)	100	02/95 01/98
ASTRA F Estate (T92)	2.0 i 16V (F08, C05)	110	03/93 01/98
ASTRA F Hatchback (T92)	1.8 (F08, M08, F68, M68)	85	11/91 07/93
ASTRA F Hatchback (T92)	1.8 i 16V (F08, M08, F68, M68)	92	06/93 08/94
ASTRA F Hatchback (T92)	1.8 i 16V (F08, M08, F68, M68)	85	09/94 01/98
ASTRA F Hatchback (T92)	2.0 GSI 16V (F08, M08, F68, M68)	110	09/91 01/98
ASTRA F Hatchback (T92)	2.0 i (F08, M08, F68, M68)	85	09/91 01/98
ASTRA F Hatchback (T92)	2.0 i 16V (F08, M08, F68, M68)	100	02/95 01/98
VECTRA A (J89)	2.0 i Cat (F19, M19)	85	09/88 11/95
VECTRA A (J89)	2000/GT 16V (F19, M19)	110	01/89 06/94
VECTRA A (J89)	2000/GT 16V Cat (F19, M19)	110	02/90 11/95
VECTRA A Hatchback (J89)	2.0 i Cat (F68, M68)	85	09/88 11/95
VECTRA A Hatchback (J89)	2.0 i GT (F68, M68)	95	09/88 11/95

VAUXHALL

Modell	Typ	kW	Baujahr
ASTRA Mk III (F) Convertible (T92)	1.8	92	09/94 08/96
ASTRA Mk III (F) Convertible (T92)	1.8 16V	85	11/94 03/01
ASTRA Mk III (F) Convertible (T92)	2.0 i	85	03/93 10/94
ASTRA Mk III (F) Convertible (T92)	2.0 i 16V	100	01/94 02/98
ASTRA Mk III (F) Estate (T92)	1.8 i 16V	85	09/94 02/98
ASTRA Mk III (F) Estate (T92)	1.8 i 16V	92	09/94 02/98
ASTRA Mk III (F) Estate (T92)	2.0 i	85	09/91 02/98
ASTRA Mk III (F) Estate (T92)	2.0 i 16V	100	01/94 02/98
ASTRA Mk III (F) Hatchback (T92)	1.8 i 16V	85	09/94 02/98
ASTRA Mk III (F) Hatchback (T92)	1.8 i 16V	92	09/94 02/98
ASTRA Mk III (F) Hatchback (T92)	2.0 i	85	09/91 02/98
ASTRA Mk III (F) Hatchback (T92)	2.0 i 16V	100	01/94 02/98
ASTRA Mk III (F) Hatchback (T92)	2.0 i 16V	110	09/91 02/98
ASTRA Mk III (F) Saloon (T92)	1.8 i 16V	85	01/94 12/96

ASTRA Mk III (F) Saloon (T92)	1.8 i 16V	92	06/93 10/94
ASTRA Mk III (F) Saloon (T92)	1.8 i 16V	82	09/95 02/98
ASTRA Mk III (F) Saloon (T92)	2.0 i	85	03/92 09/98
ASTRA Mk III (F) Saloon (T92)	2.0 i 16V	100	02/95 09/98
CAVALIER Mk III Hatchback (J89)	2.0 i Cat	85	09/90 11/95
CAVALIER Mk III Saloon (J89)	2.0 i Cat	85	09/88 11/95

OE-Teilenr.

Passende OE-Teilenummern

OPEL	569119
OPEL	569206
VAUXHALL	569206
VAUXHALL	90345699
VAUXHALL	90421872
VAUXHALL	93182284