



BRAKE DISC

08.5803.20

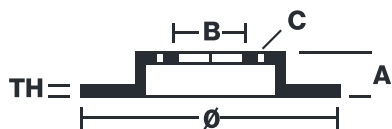
The **08.5803.20** brake disc is synonymous with reliability

The Brembo brake disc is fully interchangeable with an Original Equipment brake disc. The control of the entire production cycle allows Brembo to offer brake discs with outstanding performance levels, reliability, durability and comfort in all conditions of use. All Brembo brake discs are accompanied by the ECE-R90 homologation.

- ✓ OE-equivalent
- ✓ Brembo quality
- ✓ ECE-R90 certificate
- ✓ Safety
- ✓ Fastening screws



Technical specifications



EAN code
8020584580325

Axle
Rear

Diameter Ø
260 mm

Thickness (TH)
9 mm

Height (A)
48 mm

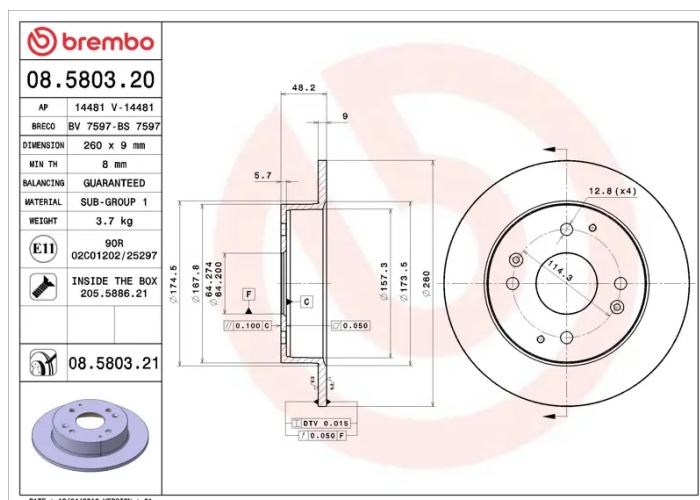
Number of holes (C)
4

Brake disc type
Solid

Centering (B)
64 mm

Min. thickness
8 mm

Tightening torque
108 Nm



COMPATIBLE VEHICLES

COMPATIBLE OE PART NUMBERS

42510S84A50	ACURA
-------------	-------

42510S0A000	HONDA
-------------	-------

42510S84A50	HONDA
-------------	-------

42510S84A52	HONDA
-------------	-------
