

Technische Daten der Scheiben

Achse Hinten	Durchmesser 286 mm
Gesamthöhe (A) 67 mm	Nabendurchmesser (B) 65,5 mm
Anzahl der Bohrungen (C) 5	Stärke (TH) 12 mm
Minimalstärke 10 mm	Anzugsmoment 110 Nm
Stück pro Karton 2	EAN-Code 8020584589113

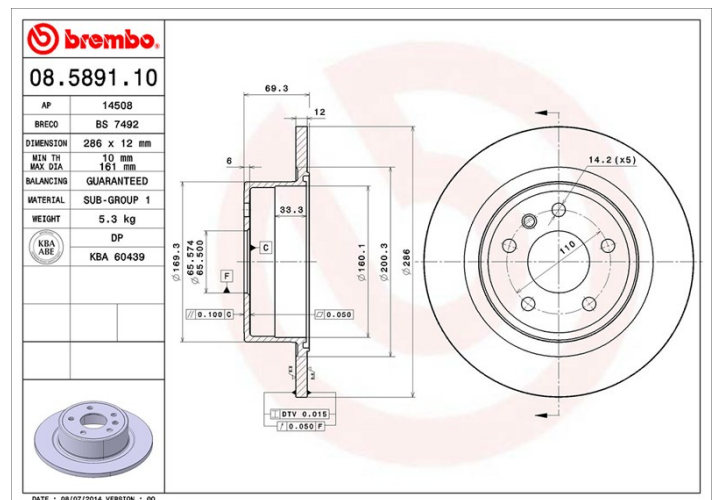


Herstellernummer

Brembo
08.5891.10

AP
14508

Breco
BS 7492



Technische Daten

Kompat. Fahrzq.

OPEL

Modell	Typ	kW	Baujahr
OMEGA B (V94)	2.0 (F69, M69, P69)	85	03/94 09/99
OMEGA B (V94)	2.0 (F69, M69, P69)	85	03/94 12/00
OMEGA B (V94)	2.0 (F69, M69, P69)	90	05/94 05/99
OMEGA B (V94)	2.0 16V (F69, M69, P69)	100	03/94 09/99
OMEGA B (V94)	2.0 DTI 16V (F69, M69, P69)	74	09/97 09/00
OMEGA B (V94)	2.2 16V (F69, M69, P69)	106	09/99 07/03
OMEGA B (V94)	2.2 DTI 16V (F69, M69, P69)	81	09/00 07/03
OMEGA B (V94)	2.2 DTI 16V (F69, M69, P69)	88	09/00 07/03
OMEGA B (V94)	2.5 D (F69, M69, P69)	96	05/94 05/99
OMEGA B (V94)	2.5 DTI (F69, M69, P69)	110	09/01 07/03

OMEGA B (V94)	2.5 TD (F69, M69, P69)	96	04/94 07/03
OMEGA B (V94)	2.5 V6 (F69, M69, P69)	125	03/94 09/00
OMEGA B (V94)	2.6 V6 (F69, M69, P69)	132	09/00 07/03
OMEGA B (V94)	3.0 V6 (F69, M69, P69)	155	04/94 02/01
OMEGA B (V94)	3.2 V6 (F69, M69, P69)	160	02/01 07/03
OMEGA B Estate (V94)	2.0 (F35, M35, P35)	85	03/94 09/99
OMEGA B Estate (V94)	2.0 (F35, M35, P35)	90	05/94 05/99
OMEGA B Estate (V94)	2.0 16V (F35, M35, P35)	100	03/94 09/99
OMEGA B Estate (V94)	2.0 DTI 16V (F35, M35, P35)	74	09/97 09/00
OMEGA B Estate (V94)	2.2 16V (F35, M35, P35)	106	09/99 07/03
OMEGA B Estate (V94)	2.2 DTI 16V (F35, M35, P35)	81	09/00 07/03
OMEGA B Estate (V94)	2.2 DTI 16V (F35, M35, P35)	88	09/00 07/03
OMEGA B Estate (V94)	2.5 DTI (F35, M35, P35)	110	09/01 07/03
OMEGA B Estate (V94)	2.5 TD (F35, M35, P35)	96	04/94 07/01
OMEGA B Estate (V94)	2.5 V6 (F35, M35, P35)	125	03/94 09/00
OMEGA B Estate (V94)	2.6 (F35, M35, P35)	138	05/94 05/99
OMEGA B Estate (V94)	2.6 V6 (F35, M35, P35)	132	09/00 07/03
OMEGA B Estate (V94)	3.0 V6 (F35, M35, P35)	155	04/94 02/01
OMEGA B Estate (V94)	3.2 V6 (F35, M35, P35)	160	02/01 07/03

VAUXHALL

Modell	Typ	kW	Baujahr
OMEGA (B) Estate (V94)	2.0	85	03/94 09/99
OMEGA (B) Estate (V94)	2.0 16V	100	03/94 07/01
OMEGA (B) Estate (V94)	2.0 DTI 16V	74	01/98 09/00
OMEGA (B) Estate (V94)	2.2 16V	106	02/94 06/03
OMEGA (B) Estate (V94)	2.2 DTI 16V	88	08/00 06/03
OMEGA (B) Estate (V94)	2.5 DTI 24V	110	09/01 06/03
OMEGA (B) Estate (V94)	2.5 TD	96	04/94 07/01
OMEGA (B) Estate (V94)	2.5 V6	125	03/94 09/00
OMEGA (B) Estate (V94)	2.6 V6	132	08/00 06/03
OMEGA (B) Estate (V94)	3.0 V6	155	07/94 07/00
OMEGA (B) Estate (V94)	3.2 V6	160	02/01 06/03
OMEGA (B) Saloon (V94)	2.0	85	03/94 09/99
OMEGA (B) Saloon (V94)	2.0	85	09/95 09/96

OMEGA (B) Saloon (V94)	2.0 16V	100	03/94 07/01
OMEGA (B) Saloon (V94)	2.0 DTI 16V	74	01/98 09/00
OMEGA (B) Saloon (V94)	2.2 16V	106	01/94 06/03
OMEGA (B) Saloon (V94)	2.2 DTI 16V	88	08/00 07/03
OMEGA (B) Saloon (V94)	2.5 DTI 24V	110	09/01 07/03
OMEGA (B) Saloon (V94)	2.5 TD	96	04/94 07/01
OMEGA (B) Saloon (V94)	2.5 V6	125	03/94 09/00
OMEGA (B) Saloon (V94)	2.6 V6	132	08/00 07/03
OMEGA (B) Saloon (V94)	3.0 V6	155	04/94 07/00
OMEGA (B) Saloon (V94)	3.2 V6	160	02/01 07/03

OE-Teilenr.

Passende OE-Teilenummern

OPEL	569121
OPEL	569208
VAUXHALL	569208
VAUXHALL	90444513
VAUXHALL	93182292