

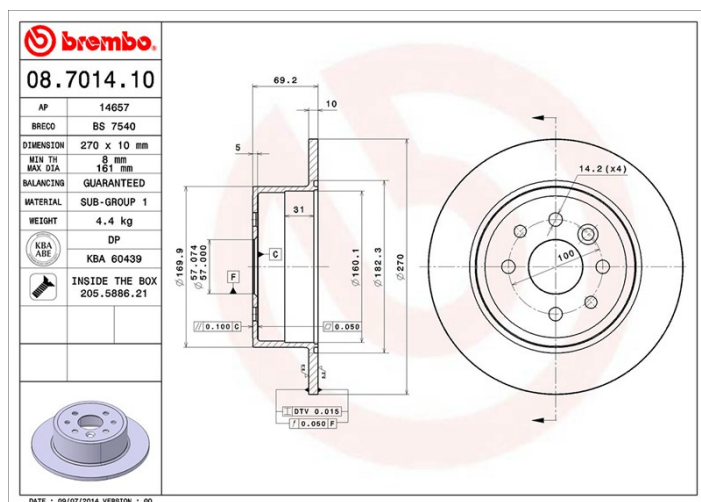
## Technische Daten der Scheiben

|                                      |                                      |
|--------------------------------------|--------------------------------------|
| <b>Achse</b> Hinten                  | <b>Durchmesser</b><br>270 mm         |
| <b>Gesamthöhe</b> (A)<br>69,2 mm     | <b>Nabendurchmesser</b> (B)<br>57 mm |
| <b>Anzahl der Bohrungen</b> (C)<br>4 | <b>Stärke</b> (TH)<br>10 mm          |
| <b>Minimalstärke</b><br>8 mm         | <b>Anzugsmoment</b><br>110 Nm        |
| <b>Stück pro Karton</b><br>2         | <b>EAN-Code</b><br>8020584701416     |



## Herstellernummer

|                             |                    |                         |
|-----------------------------|--------------------|-------------------------|
| <b>Brembo</b><br>08.7014.10 | <b>AP</b><br>14657 | <b>Breco</b><br>BS 7540 |
|-----------------------------|--------------------|-------------------------|



## Technische Daten

### Scheibe mit Befestigungsschraube

Die der Verpackung beigelegte Befestigungsschraube erleichtert Mechanikern die Arbeit, insbesondere bei verrostetem oder verschlissenem Originalteil.



## Kompat. Fahrzg.

| OPEL                  |                   |    |             |
|-----------------------|-------------------|----|-------------|
| Modell                | Typ               | kW | Baujahr     |
| VECTRA B (J96)        | 1.6 i 16V (F19)   | 74 | 10/95 04/02 |
| VECTRA B (J96)        | 1.7 TD (F19)      | 60 | 10/95 12/98 |
| VECTRA B (J96)        | 1.8 i 16V (F19)   | 92 | 09/00 04/02 |
| VECTRA B (J96)        | 1.8 i 16V (F19)   | 85 | 10/95 09/00 |
| VECTRA B (J96)        | 1.8 i 16V (F19)   | 85 | 10/95 09/00 |
| VECTRA B (J96)        | 2.0 DTI 16V (F19) | 74 | 06/97 04/02 |
| VECTRA B Estate (J96) | 1.6 i 16V (F35)   | 74 | 11/96 07/02 |
| VECTRA B Estate (J96) | 1.7 TD (F35)      | 60 | 11/96 12/97 |

|                          |                   |    |             |
|--------------------------|-------------------|----|-------------|
| VECTRA B Estate (J96)    | 1.8 i 16V (F35)   | 92 | 09/00 07/03 |
| VECTRA B Estate (J96)    | 1.8 i 16V (F35)   | 85 | 11/96 09/00 |
| VECTRA B Estate (J96)    | 1.8 i 16V (F35)   | 85 | 11/96 09/00 |
| VECTRA B Estate (J96)    | 2.0 DI 16V (F35)  | 60 | 11/96 06/00 |
| VECTRA B Estate (J96)    | 2.0 DTI 16V (F35) | 74 | 06/97 07/03 |
| VECTRA B Hatchback (J96) | 1.6 i 16V (F68)   | 74 | 10/95 07/02 |
| VECTRA B Hatchback (J96) | 1.7 TD (F68)      | 60 | 10/95 12/98 |
| VECTRA B Hatchback (J96) | 1.8 i 16V (F68)   | 92 | 09/00 07/03 |
| VECTRA B Hatchback (J96) | 1.8 i 16V (F68)   | 85 | 10/95 09/00 |
| VECTRA B Hatchback (J96) | 1.8 i 16V (F68)   | 85 | 10/95 09/00 |
| VECTRA B Hatchback (J96) | 2.0 DTI 16V (F68) | 74 | 06/97 07/03 |

## VAUXHALL

| Modell                     | Typ               | kW | Baujahr     |
|----------------------------|-------------------|----|-------------|
| VECTRA (B) Estate (J96)    | 1.8 i 16V (F35)   | 85 | 11/96 09/00 |
| VECTRA (B) Estate (J96)    | 2.0 DI 16V (F35)  | 60 | 08/95 10/01 |
| VECTRA (B) Estate (J96)    | 2.0 DTI 16V (F35) | 74 | 08/95 10/01 |
| VECTRA (B) Hatchback (J96) | 1.6 i 16V (F68)   | 74 | 08/95 10/01 |
| VECTRA (B) Hatchback (J96) | 1.7 TD (F68)      | 60 | 10/95 11/96 |
| VECTRA (B) Hatchback (J96) | 1.8 i 16V (F68)   | 85 | 10/95 09/00 |
| VECTRA (B) Hatchback (J96) | 2.0 Di 16V (F68)  | 60 | 08/95 10/01 |
| VECTRA (B) Hatchback (J96) | 2.0 DTi 16V (F68) | 74 | 06/97 10/01 |
| VECTRA (B) Saloon (J96)    | 1.6 i 16V (F19)   | 74 | 08/95 10/01 |
| VECTRA (B) Saloon (J96)    | 1.7 TD (F19)      | 60 | 10/95 11/96 |
| VECTRA (B) Saloon (J96)    | 1.8 i 16V (F19)   | 85 | 10/95 09/00 |
| VECTRA (B) Saloon (J96)    | 1.8 i 16V (F19)   | 85 | 10/95 09/00 |
| VECTRA (B) Saloon (J96)    | 2.0 DI 16V (F19)  | 60 | 08/95 10/01 |
| VECTRA (B) Saloon (J96)    | 2.0 DTI 16V (F19) | 74 | 08/95 10/01 |

## OE-Teilenr.

### Passende OE-Teilenummern

|          |          |
|----------|----------|
| OPEL     | 569117   |
| OPEL     | 569209   |
| VAUXHALL | 569209   |
| VAUXHALL | 90512909 |

