



BRAKE DISC

08.A605.10

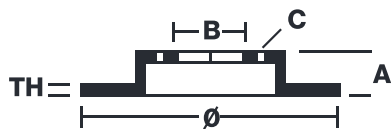
The **08.A605.10** brake disc is synonymous with reliability

The Brembo brake disc is fully interchangeable with an Original Equipment brake disc. The control of the entire production cycle allows Brembo to offer brake discs with outstanding performance levels, reliability, durability and comfort in all conditions of use. All Brembo brake discs are accompanied by the ECE-R90 homologation.

- ✓ OE-equivalent
- ✓ Brembo quality
- ✓ ECE-R90 certificate
- ✓ Safety



Technical specifications



EAN code
8020584027790

Axle
Rear

Diameter Ø
274 mm

Thickness (TH)
10 mm

Height (A)
68 mm

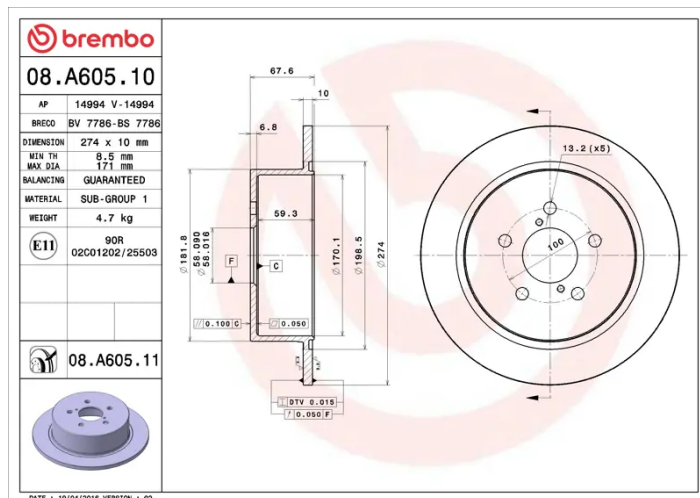
Number of holes (C)
5

Brake disc type
Solid

Centering (B)
58 mm

Min. thickness
8,5 mm

Tightening torque
100 Nm



COMPATIBLE VEHICLES

COMPATIBLE OE PART NUMBERS

26700AG000	SUBARU
26700AG001	SUBARU
26700AG01B	SUBARU