



BRAKE DISC

08.C135.10

The **08.C135.10** brake disc is synonymous with reliability

The Brembo brake disc is fully interchangeable with an Original Equipment brake disc. The control of the entire production cycle allows Brembo to offer brake discs with outstanding performance levels, reliability, durability and comfort in all conditions of use. All Brembo brake discs are accompanied by the ECE-R90 homologation.

- ✓ OE-equivalent
- ✓ Brembo quality
- ✓ ECE-R90 certificate
- ✓ Safety
- ✓ Fastening screws



Technical specifications



EAN code
8020584218570

Axle
Rear

Diameter Ø
276 mm

Thickness (TH)
10 mm

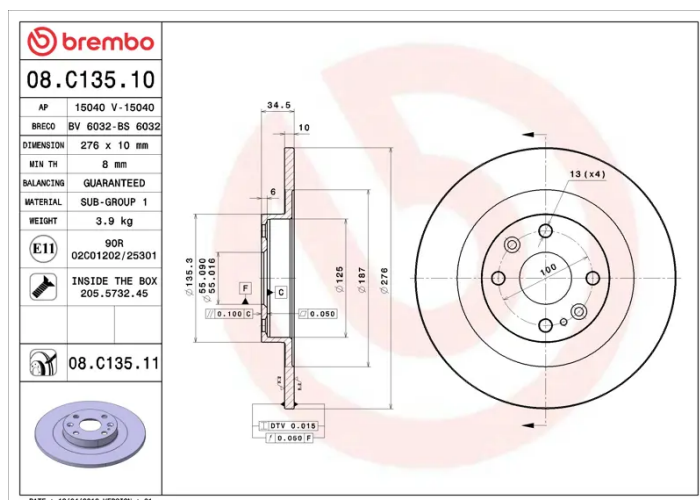
Height (A)
35 mm

Number of holes (C)
4

Brake disc type
Solid

Centering (B)
55 mm

Min. thickness
8 mm



COMPATIBLE VEHICLES

COMPATIBLE OE PART NUMBERS

N06Y26251	MAZDA
-----------	-------

N06Y26251A	MAZDA
------------	-------

N06Y26251B	MAZDA
------------	-------

N0YY26251	MAZDA
-----------	-------

N0YY26251A	MAZDA
------------	-------

N0YY26251B	MAZDA
------------	-------
