

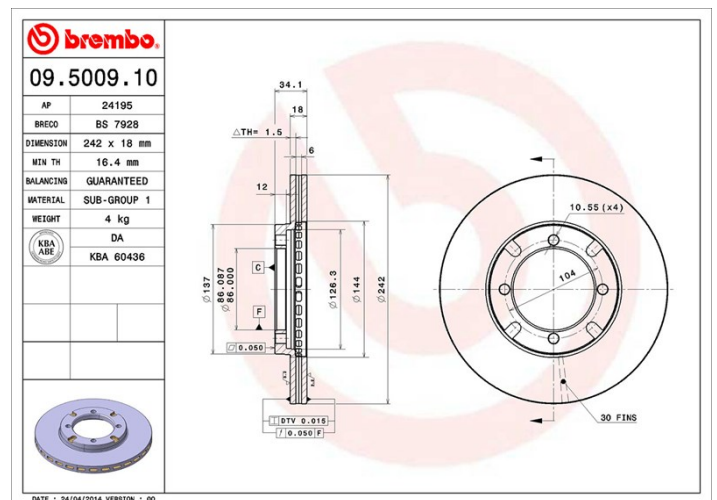
Technische Daten der Scheiben

Achse Vorne	Durchmesser 242 mm
Gesamthöhe (A) 34 mm	Nabendurchmesser (B) 86 mm
Anzahl der Bohrungen (C) 4	Stärke (TH) 18 mm
Minimalstärke 16,4 mm	Anzugsmoment 108 Nm
Stück pro Karton 2	EAN-Code 8020584500910



Herstellernummer

Brembo 09.5009.10	AP 24195	Breco BS 7928
-----------------------------	--------------------	-------------------------



Technische Daten

Kompat. Fahrzq.

MITSUBISHI				
Modell	Typ	kW	Baujahr	
COLT I (A15_A)	1.4 Turbo (A152A)	77	09/81 01/84	
COLT II (C1_A)	1.6 Turbo ECi (C13A)	77	07/86 04/88	
COLT III (C5_A)	1.3 12V (C51A)	55	04/88 05/92	
COLT III (C5_A)	1.3 GL (C61A)	44	04/88 12/90	
COLT III (C5_A)	1.5 GLXi (C52A)	62	04/88 05/92	
COLT III (C5_A)	1.8 Diesel GLX (C54A)	44	04/88 05/92	
GALANT III (E1_A)	1.6 GLX (E11A)	55	06/84 04/90	
LANCER III (C1_A, C6_A)	1.8 Diesel (C14AS)	43	01/84 09/86	
LANCER III (C1_A, C6_A)	1.8 Diesel (C14AS)	44	09/86 04/88	
LANCER III Station Wagon (C1_V, C3_V)	1.5 (C12V)	51	09/85 08/89	

LANCER III Station Wagon (C1_V, C3_V)	1.5 (C12V)	61	09/88 12/90
LANCER III Station Wagon (C1_V, C3_V)	1.8 4WD (C37V)	61	01/87 08/89
LANCER III Station Wagon (C1_V, C3_V)	1.8 4WD (C37V)	66	01/87 12/87
LANCER III Station Wagon (C1_V, C3_V)	1.8 4WD (C37V)	63	03/89 12/90
LANCER III Station Wagon (C1_V, C3_V)	1.8 D (C14V)	44	08/86 06/92
LANCER III Station Wagon (C1_V, C3_V)	1.8 D (C14V)	43	09/85 09/86
LANCER IV (C6_A, C7_A)	1.3 (C61A)	44	04/88 05/92
LANCER IV (C6_A, C7_A)	1.3 (C61A)	51	08/88 05/92
LANCER IV (C6_A, C7_A)	1.5 (C62A)	62	04/88 05/92
LANCER IV (C6_A, C7_A)	1.5 12V (C62A)	66	06/90 05/92
LANCER IV Hatchback (C6_A, C7_A)	1.5 (C62A)	62	06/88 05/92
SPACE WAGON (D0_V/W)	1.8 4WD (D05V, D05W)	66	10/87 08/88
SPACE WAGON (D0_V/W)	1.8 GLX (D05V, D05W)	66	01/84 12/88
SPACE WAGON (D0_V/W)	1.8 TD (D09V, D09W)	55	06/86 04/91
SPACE WAGON (D0_V/W)	2.0 GLX (D04W)	62	06/86 05/88
SPACE WAGON (D0_V/W)	2.0 GLXi (D04W)	74	06/88 04/91

PROTON

Modell	Typ	kW	Baujahr
SALOON Saloon (C2_S)	1.3	50	01/91 09/93
SALOON Saloon (C2_S)	1.3	55	10/92 06/96

OE-Teilenr.

Passende OE-Teilenummern

DODGE	MB238615
DODGE	MB316677
EAGLE	MB238615
EAGLE	MB316677
MITSUBISHI	MB238615
MITSUBISHI	MB316677
PROTON	MB238615
PROTON	MB316677