



BRAKE DISC

09.5390.34

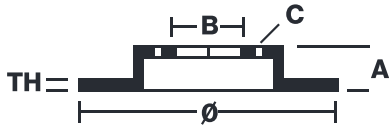
The **09.5390.34** brake disc is synonymous with reliability

The Brembo brake disc is fully interchangeable with an Original Equipment brake disc. The control of the entire production cycle allows Brembo to offer brake discs with outstanding performance levels, reliability, durability and comfort in all conditions of use. All Brembo brake discs are accompanied by the ECE-R90 homologation.

- ✓ OE-equivalent
- ✓ Brembo quality
- ✓ ECE-R90 certificate
- ✓ Safety
- ✓ High carbon
- ✓ Fastening screws



Technical specifications



EAN code
8020584012574

Axle
Front

Diameter Ø
286 mm

Thickness (TH)
22 mm

Height (A)
52 mm

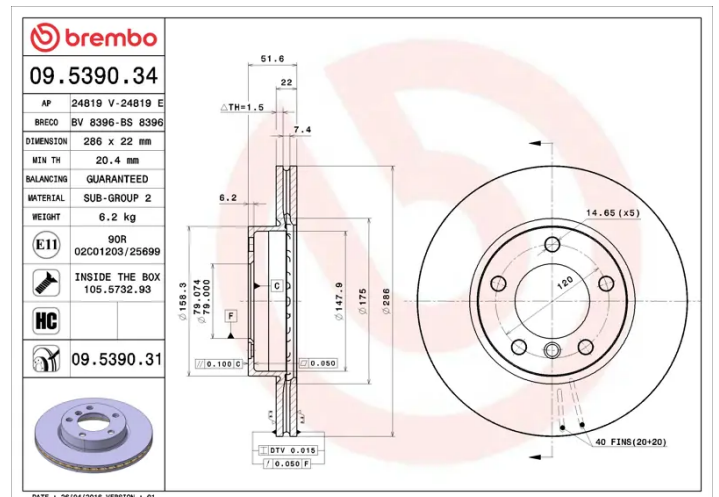
Number of holes (C)
5

Brake disc type
Ventilated

Centering (B)
79 mm

Min. thickness
20,4 mm

Tightening torque
120 Nm



COMPATIBLE VEHICLES

COMPATIBLE OE PART NUMBERS

34111160674	BMW
34111160981	BMW
34111162282	BMW
34111162288	BMW
34111164199	BMW
34111164431	BMW
34111164921	BMW
34111165455	BMW
34116766239	BMW
34116794301	BMW
34116855153	BMW
34116864060	BMW
34111160674	BMW (BRILLIANCE)
34111162282	BMW (BRILLIANCE)
34111162288	BMW (BRILLIANCE)
34111164199	BMW (BRILLIANCE)
34111164921	BMW (BRILLIANCE)
34111165455	BMW (BRILLIANCE)
34116855153	BMW (BRILLIANCE)
34116864060	BMW (BRILLIANCE)
34111162282	DE LA CHAPELLE