



BRAKE DISC PAINTED

09.7379.11

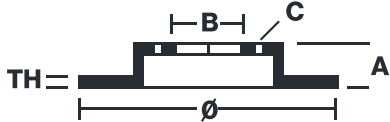
The 09.7379.11 painted brake disc is synonymous with reliability

The Brembo brake disc with special UV paint treatment guarantees superior corrosion resistance for the product, thanks to the protective coating on the outer edges and on the disc hub. The UV paint not only gives the disc a clean, shiny appearance but is also beneficial for the environment as the water-based UV paint treatment does not require the use of chemical solvents and is a low energy consumption process.

- ✓ OE-equivalent
- ✓ Brembo quality
- ✓ ECE-R90 certificate
- ✓ Safety
- ✓ Anti-corrosion

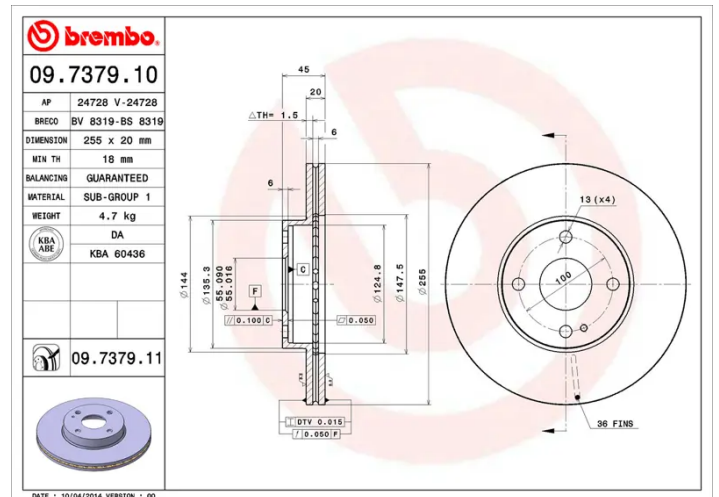


Technical specifications



EAN code	Axle	Diameter Ø
8020584031568	Front	255 mm
Thickness (TH)	Height (A)	Number of holes (C)
20 mm	45 mm	4
Brake disc type	Centering (B)	Min. thickness
Ventilated	55 mm	18 mm

Tightening torque
98 Nm



COMPATIBLE VEHICLES

COMPATIBLE OE PART NUMBERS

B01C3325X	MAZDA
-----------	-------

B01C3325XA	MAZDA
------------	-------

N0263325X	MAZDA
-----------	-------

N0263325XC	MAZDA
------------	-------

NA753325X	MAZDA
-----------	-------

NA753325XB	MAZDA
------------	-------

NA753325XC	MAZDA
------------	-------

NO263325XC	MAZDA
------------	-------