



BRAKE DISC

09.8545.10

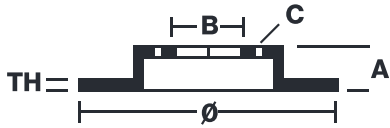
The **09.8545.10** brake disc is synonymous with reliability

The Brembo brake disc is fully interchangeable with an Original Equipment brake disc. The control of the entire production cycle allows Brembo to offer brake discs with outstanding performance levels, reliability, durability and comfort in all conditions of use. All Brembo brake discs are accompanied by the ECE-R90 homologation.

- ✓ OE-equivalent
- ✓ Brembo quality
- ✓ ECE-R90 certificate
- ✓ Safety



Technical specifications



EAN code
8020584854518

Axle
Front

Diameter Ø
255 mm

Thickness (TH)
20 mm

Height (A)
43 mm

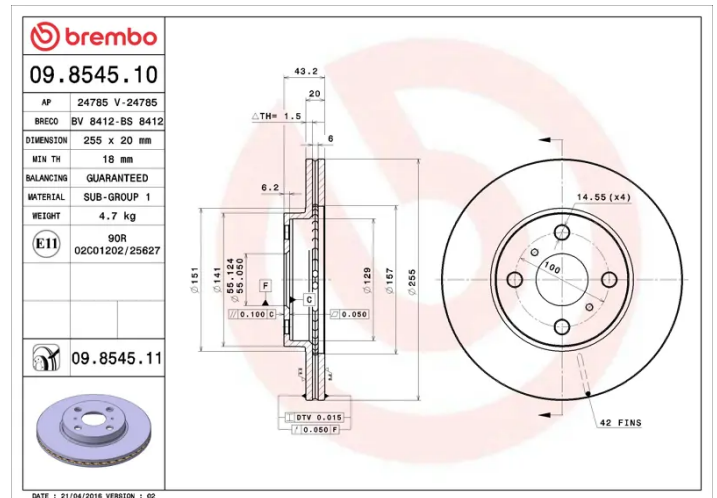
Number of holes (C)
4

Brake disc type
Ventilated

Centering (B)
55 mm

Min. thickness
18 mm

Tightening torque
103 Nm



COMPATIBLE VEHICLES

COMPATIBLE OE PART NUMBERS

1014001811	ENGLON
4048016300	ENGLON
435120DA20	FAW (TIANJIN)
1014001811	GEELY
4048016300	GEELY
435120D020	TOYOTA
435120D030	TOYOTA
435120D050	TOYOTA
4351217120	TOYOTA
4351217130	TOYOTA
4351217131	TOYOTA
4351252030	TOYOTA
4351252040	TOYOTA
4351252090	TOYOTA
435120D020	TOYOTA (FAW)